

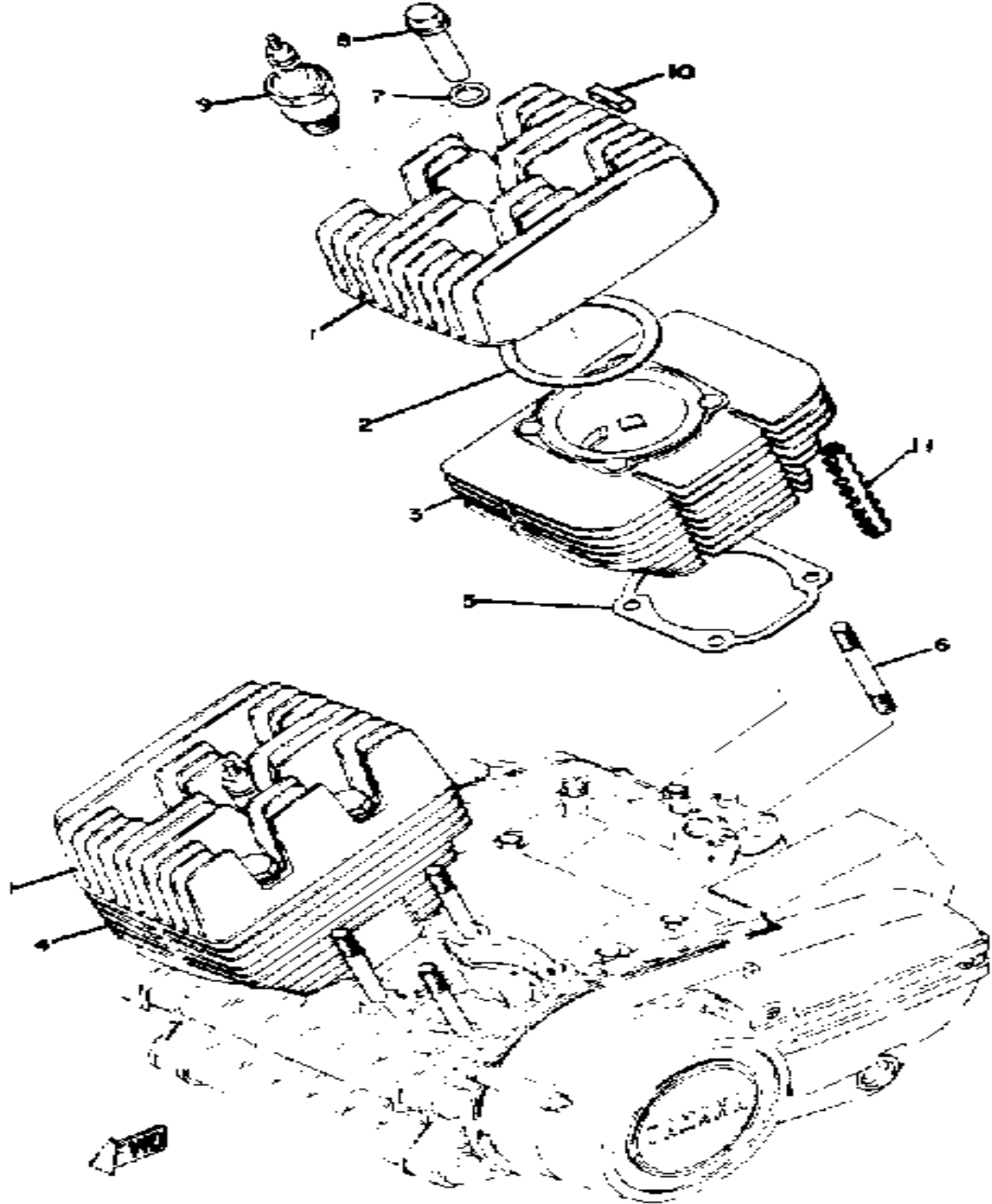
YAMAHA

GENUINE

PARTS CATALOGUE

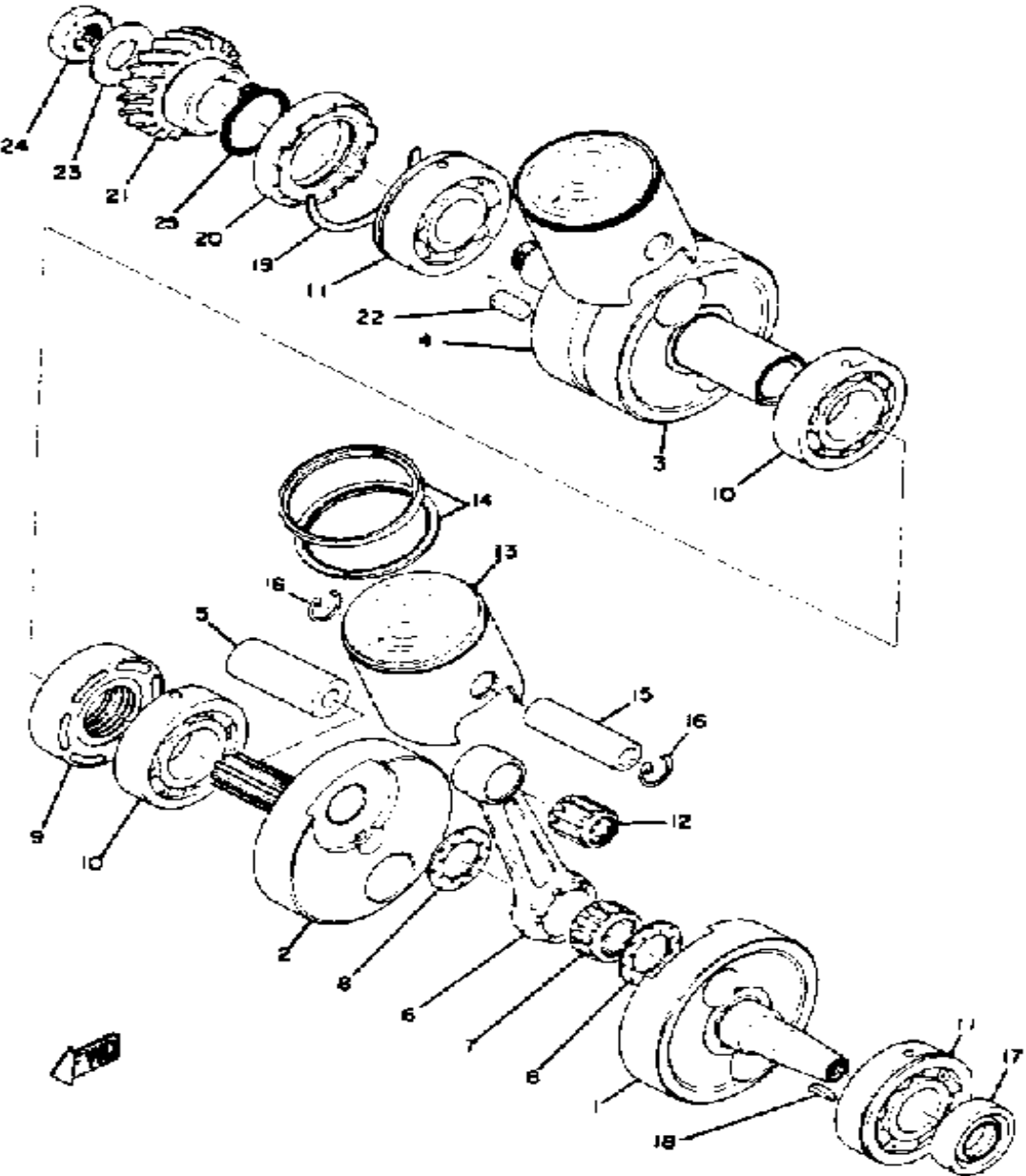
MOTORCYCLE

CYLINDER HEAD - CYLINDER



Ref. No.	Part Number	Description	Qty	Remarks
1	360-11111-01-00	HEAD, CYLINDER 1	2	
2	278-11181-01-00	GASKET, CYLINDER HEAD 1 .	2	
3	360-11311-00-00	CYLINDER 1	1	
4	360-11321-00-00	CYLINDER 2	1	
5	278-11351-01-00	GASKET, CYLINDER	2	
6	90116-08064-00	BOLT, STUD	8	
7	90201-12362-00	WASHER, PLATE	8	
8	90179-08026-00	NUT, SPEC'L SHAPE	8	
9	NGK-B8HS0-00-00	PLUG, SPARK	2	
10	(416-11161-00-00)	ABSORBER 1	20	
11	(360-00000-21-00)	RD350/RD350A GASKT	1	
	278-11181-01-00	. GASKET, CYLINDER HEAD 1	2	
	278-11351-01-00	. GASKET, CYLINDER	2	
	278-15461-02-00	. GASKET, CRCS CVR 2	1	
	521-11162-01-00	ABSORBER 2	4	
	87A-13621-00-00	. GASKET, VALVE SEAT	2	
	93210-29147-00	. O-RING	1	

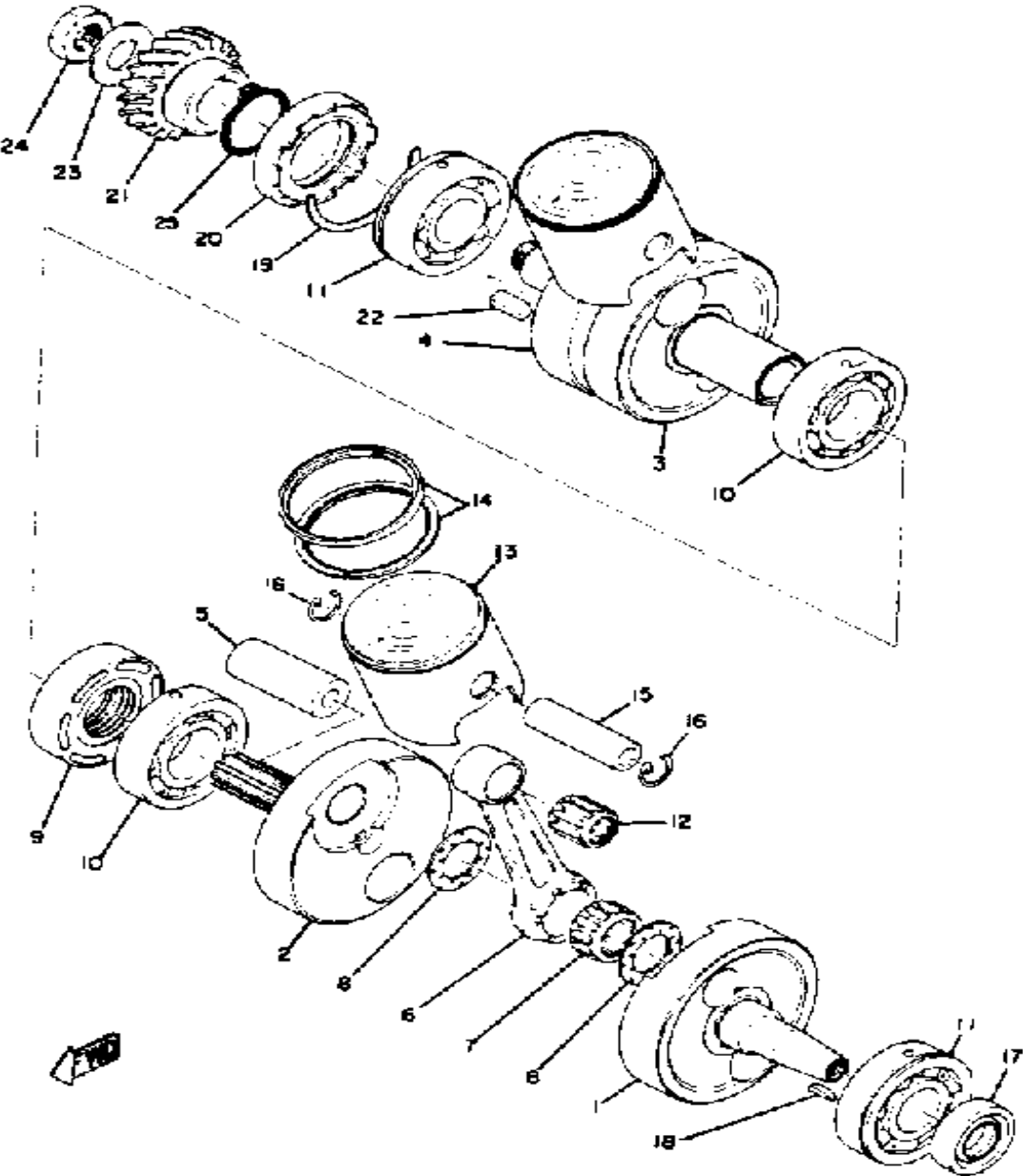
CRANKSHAFT - PISTON



Ref. No.	Part Number	Description	Qty	Remarks
1	ϕ27-81141-20-00	. UNAVAILABLE IN PRICE BOOK	1	
	ϕ36-01140-00-00	UNAVAILABLE IN PRICE BOOK	1	
2	ϕ27-81142-20-00	. UNAVAILABLE IN PRICE BOOK	1	
3	ϕ27-81143-20-00	. UNAVAILABLE IN PRICE BOOK	1	
4	ϕ27-81144-20-00	. UNAVAILABLE IN PRICE BOOK	1	
5	8G8-11681-00-00	. PIN, CRANK 1	2	
6	34X-11651-00-00	. ROD, CONNECTING	2	
7	93310-42277-00	. BEARING, CYLINDER.#10 (93310-42231)	2	
8	90209-22248-00	. WASHER	4	
9	278-11515-00-00	. SEAL, LABYRINTH 1	1	
10	93306-20621-00	. BEARING	2	
11	93306-30549-00	. BEARING	2	
12	93310-216E1-00	BEARING	2	
13	360-11631-03-96	PISTON STD (360-11631-01-96)	2	
	360-11635-03-00	PISTON 1 O/S 0.25 (360-11635-02)	2	ALT.
	360-11636-03-00	PISTON 2 O/S 0.50 (360-11636-01)	2	ALT.
14	360-11610-02-00	PISTON RINGSET STD	2	
	360-11610-12-00	PISTON RINGSET 1ST	2	ALT.
	360-11610-22-00	PISTON RINGSET 2ND	2	ALT.
15	4L0-11633-00-00	PIN, PISTON	2	
16	93450-17025-00	CIRCLIP	4	
17	93103-20076-00	OIL SEAL, SW-TYPE	1	
18	90280-04005-00	KEY, WOODRUFF	1	
19	278-17424-01-00	CIRCLIP 1	1	

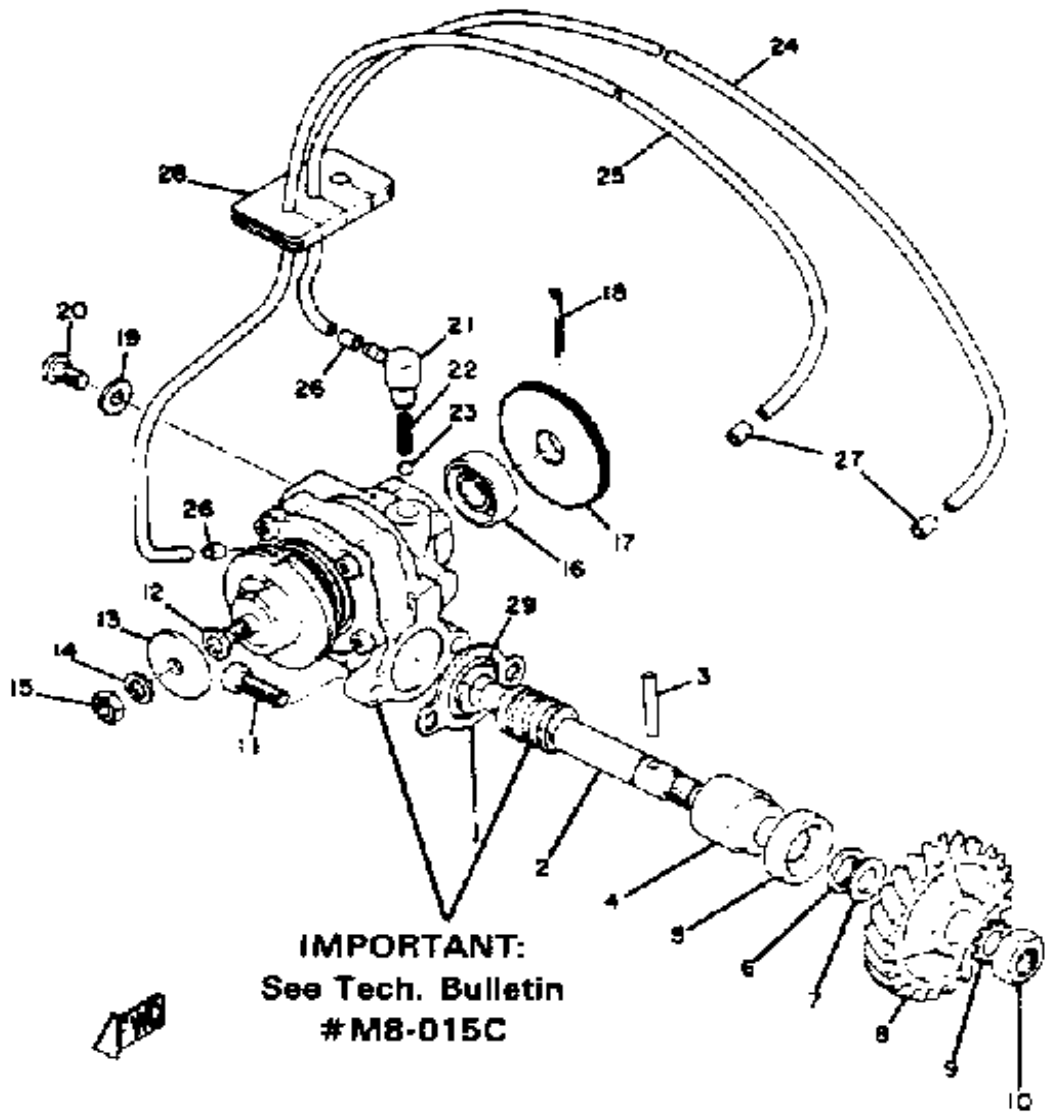
CONTINUED ON NEXT FRAME ➤

CRANKSHAFT - PISTON



Ref. No.	Part Number	Description	Qty	Remarks
20	93103-40077-00	OIL SEAL	1	
21	ø27-81611-10-10	UNAVAILABLE IN PRICE BOOK 0 0	1	268~
22	90282-07023-00	KEY, STRAIGHT	1	
23	214-16119-00-00	SPRING, BELLEVILLE	1	
24	90170-16182-00	NUT	1	
25	360-11526-00-00	SEAL, CRANKSHAFT 0 0	1	268~
	ø90-89110-04-10	UNAVAILABLE IN PRICE BOOK	1	

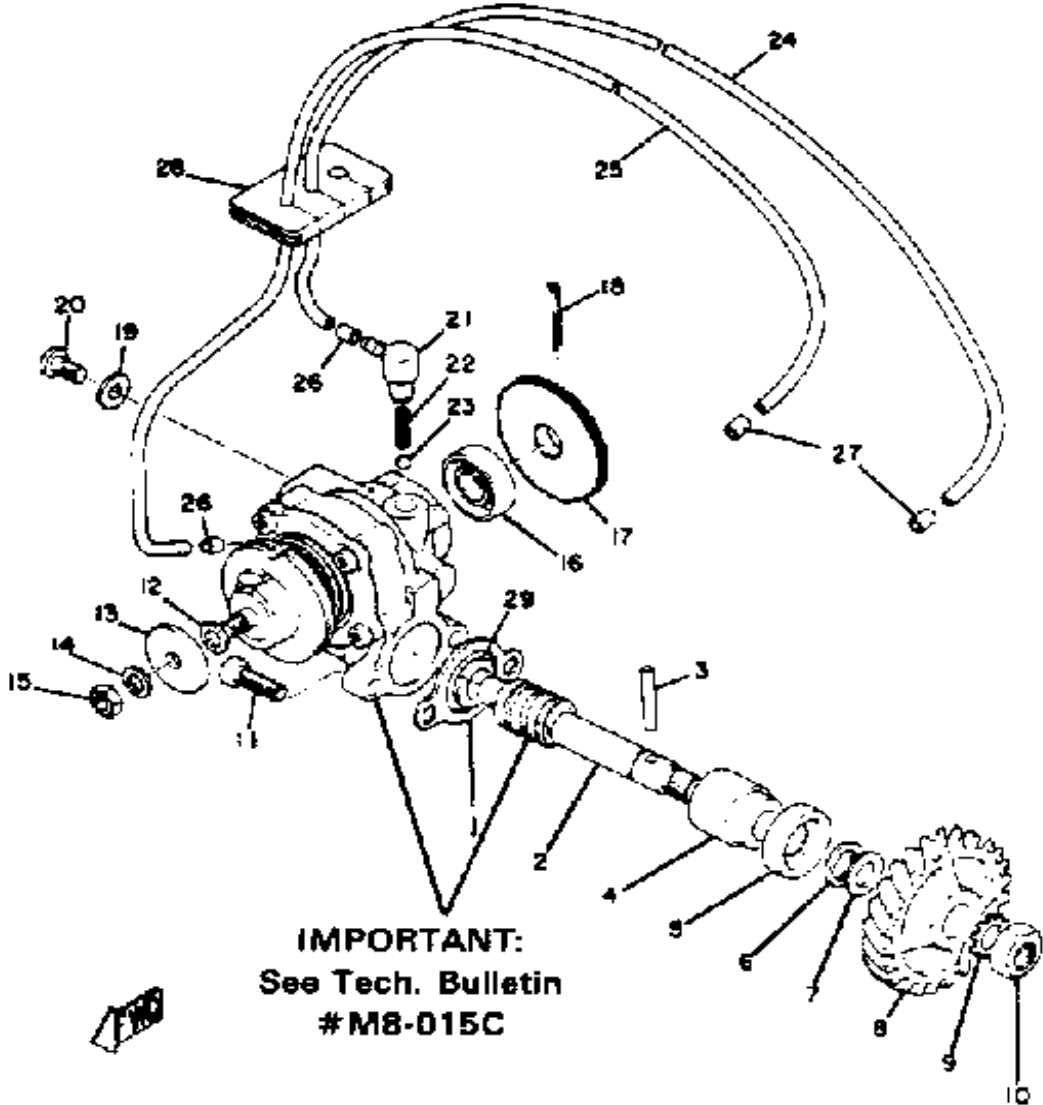
OIL PUMP



Ref. No.	Part Number	Description	Qty	Remarks
1	3MT-13116-00-00	GASKET, PUMP CASE (8Y0-13116-00)	1	
	ø36-01310-10-10	UNAVAILABLE IN PRICE BOOK	1	N/A
2	278-13175-01-00	SHAFT, WORM (278-13175-00)	1	SEE TECH. BULL. #M8-015C
3	93603-22028-00	PIN, DOWEL	1	
4	1E7-13176-00-00	METAL, WRM SHAF OTR	1	
5	93101-10002-00	OIL SEAL	1	
6	99001-08600-00	CIRCLIP	1	
7	90201-105J4-00	WASHER, PLATE (90201-106H1)	1	
8	278-13178-00-00	GEAR, PUMP DRIVE	1	
9	92901-08400-00	WASHER, EX.TOOTH	1	
10	95303-08700-00	NUT	1	
11	98580-05016-00	SCREW, PAN HEAD (98501-05016)	2	
12	137-13137-00-03	. SHIM (0.3T)	1	
	137-13137-00-05	. SHIM (0.5T)	1	
13	137-13138-01-00	. PLATE, ADJUSTING	1	
14	92990-05100-00	. WASHER, SPRING	1	
15	95380-05600-00	. NUT	1	
16	93101-10090-00	. OIL SEAL	1	
17	(137-13128-00-00)	. PLATE, STARTER	1	
18	91401-12018-00	. PIN, COTTER	1	
19	90430-04004-00	. GASKET	1	
20	98901-04008-00	. SCREW, BIND	1	
21	353-13552-01-00	. NOZZLE	2	
22	90501-02018-00	. SPRING, COMPRESSION	2	
23	93505-32002-00	. BALL	2	
24	90445-05034-00	. HOSE	1	

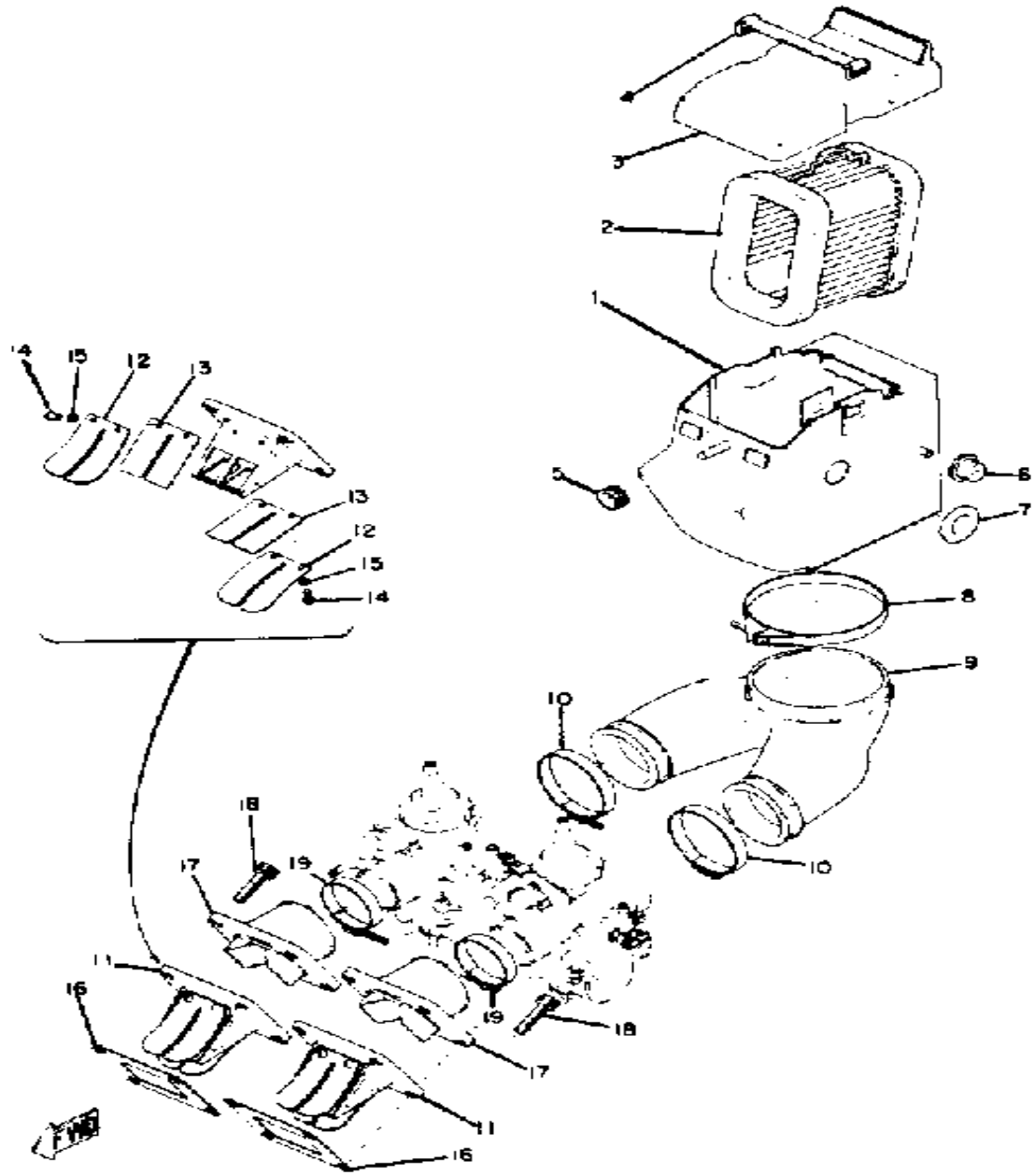
CONTINUED ON NEXT FRAME ►

OIL PUMP



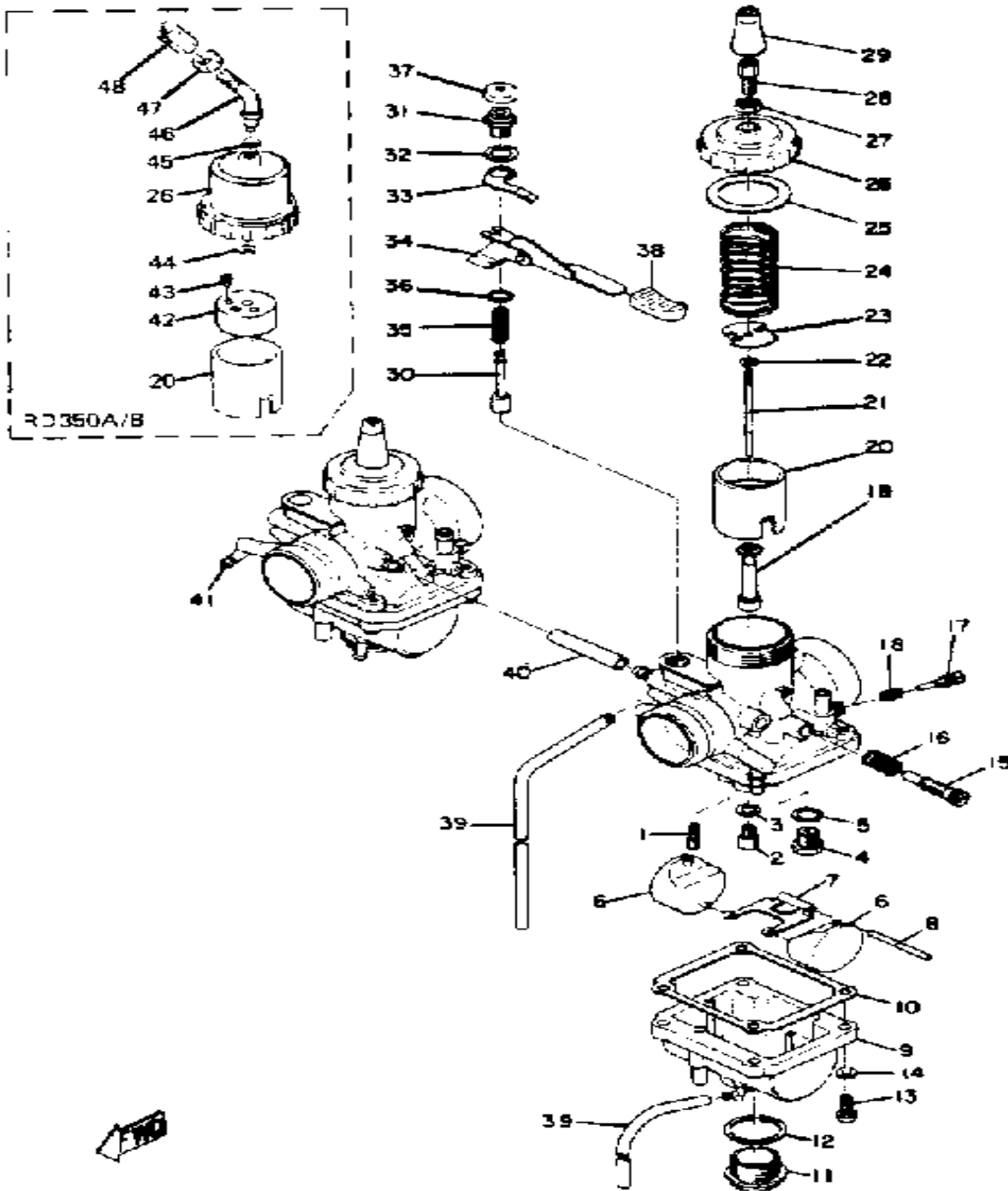
Ref. No.	Part Number	Description	Qty	Remarks
25	90445-05301-00	. HOSE (214-13161-01)	1	
26	90468-02033-00	. CLIP	2	
27	90468-02033-00	CLIP	2	
28	278-13174-00-00	HOLDER, OIL PIPE	1	
29	90201-08624-00	WASHER, PLATE	1	

AIR FILTER



Ref. No.	Part Number	Description	Qty	Remarks
1	(360-14411-00-00)	CASE, AIR CLEANER 1	1	
2	278-14451-00-00	ELEMENT, AIR CLNR	1	STD FOR A&B 300101-308120
	360-14451-90-00	ELEMENT, AIR CLNR	1	121-STD
3	(278-14412-01-00)	CAP, CLEANER CASE 1	1	
4	278-14459-00-00	HOLDER, GUIDE	1	
5	90480-10091-00	GROMMET (214-21746-00)	1	
6	278-14426-00-00	DAMPER 2	2	
7	(90480-19032-00)	GROMMET	2	
8	90460-77016-00	CLAMP, HOSE	1	
9	360-14453-00-00	JOINT, AIR CLNR 1	1	
10	90460-49058-00	CLAMP, HOSE	2	
11	558-13610-00-00	REED VALVE ASSEMBLY	2	
12	345-13616-70-00	. STOPPER, REED VALVE	4	
13	345-13613-70-00	. REED, VALVE	4	
14	98580-03008-00	. SCREW, PAN HEAD	8	
15	92990-03100-00	. WASHER, SPRING (92901-03100)	8	
16	87A-13621-00-00	GASKET, VALVE SEAT	2	
17	345-13565-71-00	JOINT, CARBURETOR	2	
18	91316-06025-00	BOLT	8	
19	90460-43053-00	CLAMP, HOSE	2	

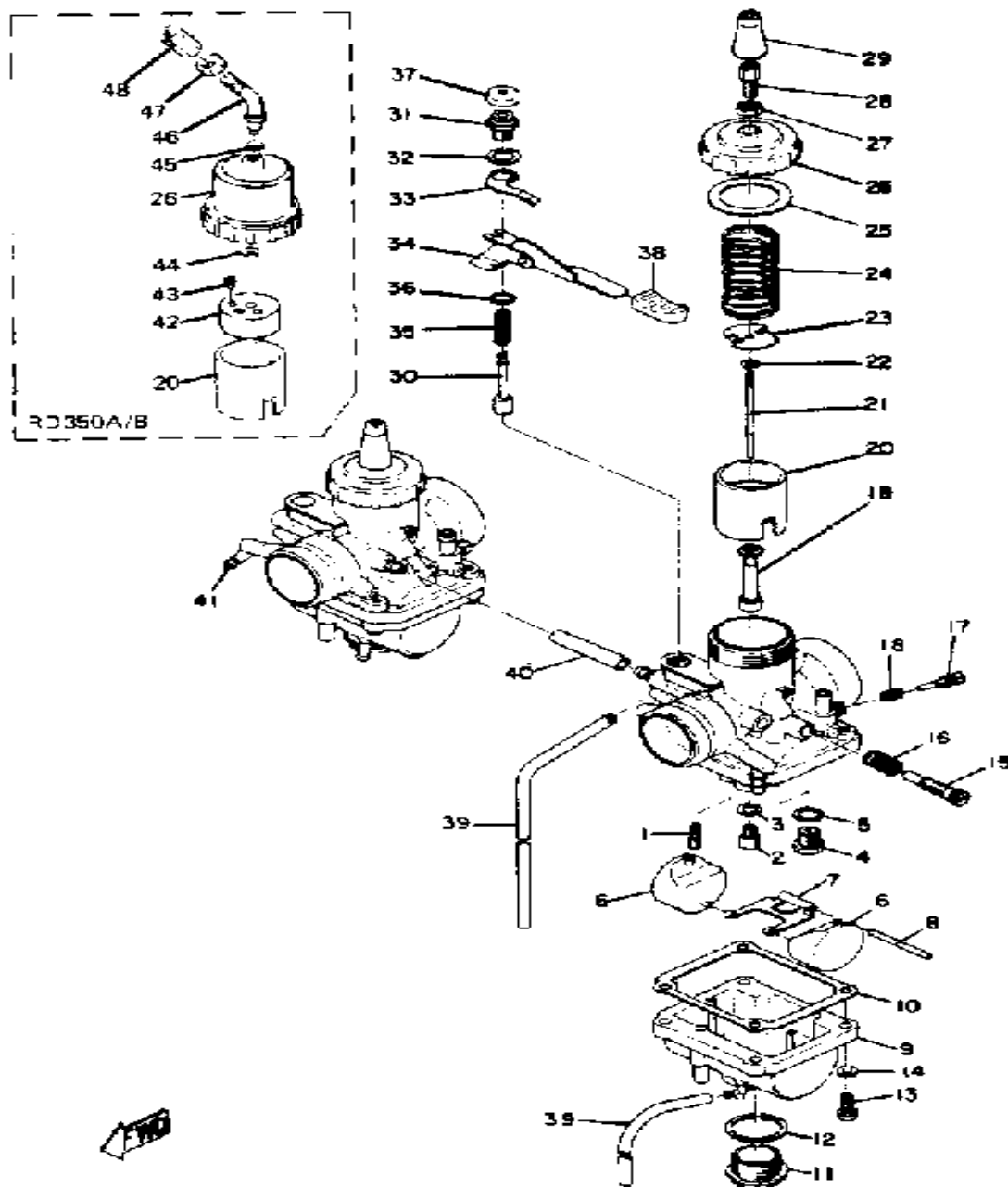
CARBURETOR



Ref. No.	Part Number	Description	Qty	Remarks
	(360-14101-02-00)	CARBURETOR ASSEMBLY 1	213	364~ BLK
	(360-14101-60-00)	CARBURETOR ASSEMBLY 1	1	BLACK
	(360-14102-02-00)	CARBURETOR ASSEMBLY 2	0 1	364~ BLK
	(360-14102-60-00)	CARBURETOR ASSEMBLY 2	1	BLACK
1	193-14142-25-A0	. JET, PILOT # 5	2	
2	137-14143-20-00	. JET, MAIN #1 0	2	UR
	137-14143-21-00	. JET, MAIN #1 5	2	UR STD 350B
	137-14143-22-A0	. JET, MAIN #1 0	2	UR
	137-14143-24-00	. JET, MAIN #120 (#120)	2	UR
	137-14143-26-A0	. JET, MAIN (#130)	2	UR
	137-14143-28-A0	. JET, MAIN (#140)	350	A
	137-14143-30-00	. JET, MAIN #1 0	2	UR
3	137-14153-00-00	. WASHER, MAIN JET	1	
4	23L-14107-25-00	. NEEDLE VALVE SET	2	
5	214-14195-00-00	. WASHER, NEEDLE VALVE	2	
6	280-14185-00-00	. FLOAT	4	
7	280-14187-00-00	. ARM, FLOAT	2	
8	127-14186-00-00	. PIN, FLOAT	2	
9	(360-14181-00-33)	. BODY, FLOAT CHMBR 1	1	YAMAHA BLK
	ø36-01418-30-03	. UNAVAILABLE IN PRICE BOOK FLOAT CHAMBER RIGHT	1	YAMAHA BLK
10	360-14184-01-00	. GASKET, FLOAT CHMBR	2	
11	(278-14115-00-00)	. PLUG, SCREW	2	
12	278-14117-00-00	. WASHER, PLUG SCREW	2	
13	98503-04014-00	. SCREW, PAN HEAD	8	
14	92901-04600-00	. WASHER, PLATE	8	
15	24X-14103-00-00	. THROTTLE SCREW SET	2	
16	137-14133-00-00	. SPRING, THRTL STOP	2	

CONTINUED ON NEXT FRAME ►

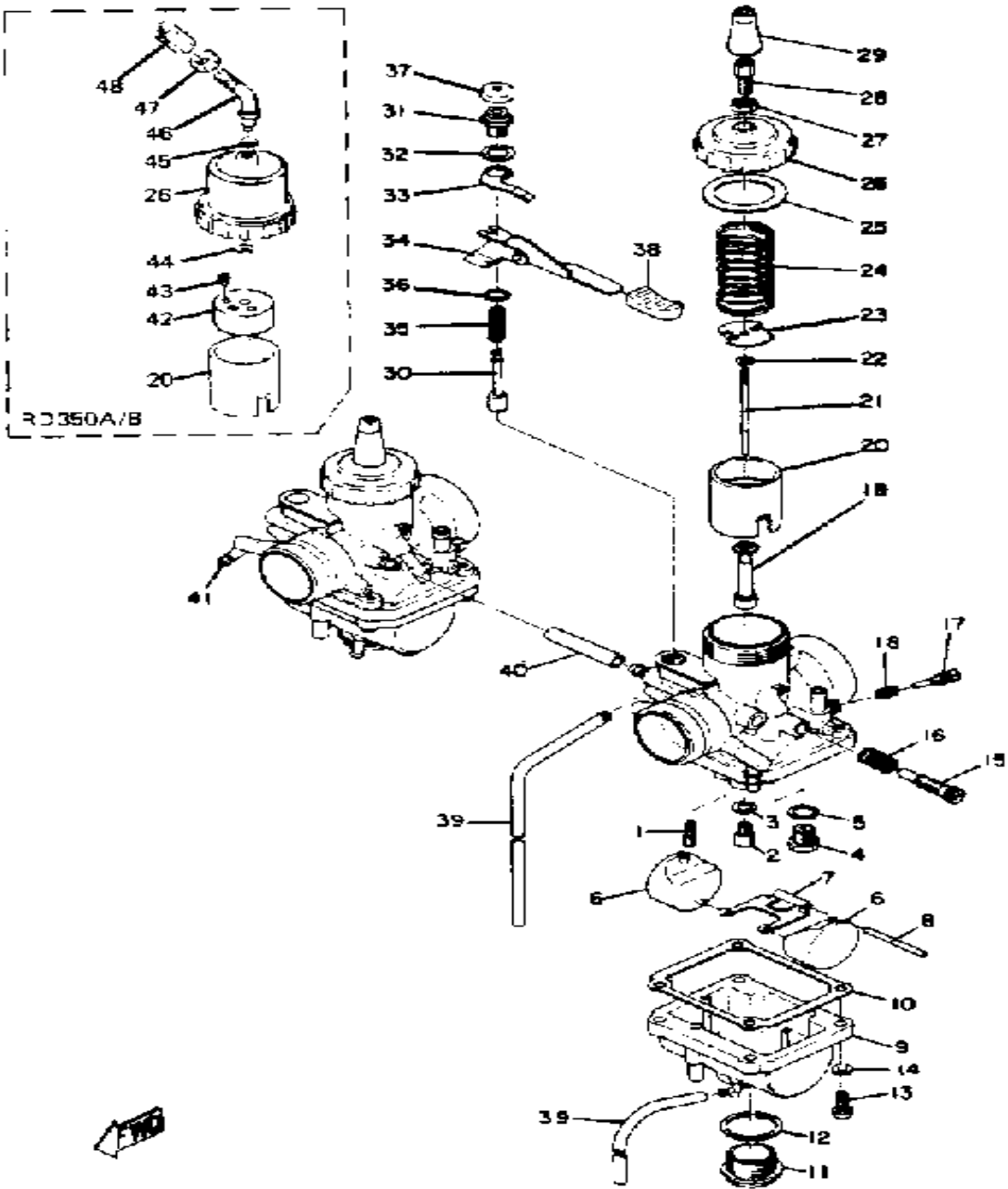
CARBURETOR



Ref. No.	Part Number	Description	Qty	Remarks
17	152-14104-00-00	. UNAVAILABLE IN PRICE BOOK (152-14123-00)	2	
18	127-14134-00-00	. SPRING, AIR ADJUSTING	2	
19	360-14141-38-00	. NOZZLE, MAIN	2	
20	(360-14112-25-00)	. VALVE, THROTTLE 1	1	
	(360-14113-25-00)	VALVE, THROTTLE 2	1	
	(361-14112-25-00)	. VALVE, THROTTLE 1 0 0	1	364~
	ø36-11411-32-50	. UNAVAILABLE IN PRICE BOOK THROTTLE RIGHT (#2.5) 0 0	1	364~
21	360-14116-04-00	. NEEDLE	2	
22	164-14137-00-00	. CLIP	2	
23	256-14936-00-00	. SEAT, SPRING	2	
	401-14136-00-00	. SEAT, SPRING 0 0	2	364~
24	360-14131-00-00	. SPRING, THRTL VALVE	2	
25	246-14126-00-00	. GASKET	2	
	361-14147-00-00	. O-RING	2	364~
26	(316-14158-00-33)	. TOP, MIXING CHAMBER	2	YAMAHA BLK
	401-14158-00-00	. TOP, MXXING CHAMBER	2	YAMAHA BLK
	ø36-01415-80-03	. UNAVAILABLE IN PRICE BOOK 0 0	2	364~ YAMAHA BLK
27	802-14161-00-00	. NUT, CABLE ADJUSTING	2	
28	360-14124-20-00	. SCREW, CABLE ADJUSTING	2	
29	802-14169-00-00	. CAP	2	
30	278-14171-00-00	. PLUNGER, STARTER	1	
31	(278-14174-00-00)	. CAP, PLUNGER	1	
32	ø13-21417-90-00	. UNAVAILABLE IN PRICE BOOK	1	
33	(170-14178-00-00)	. PLATE, STARTER LVR	213	364~
34	360-14175-00-00	. LEVER, STARTER 1	1	

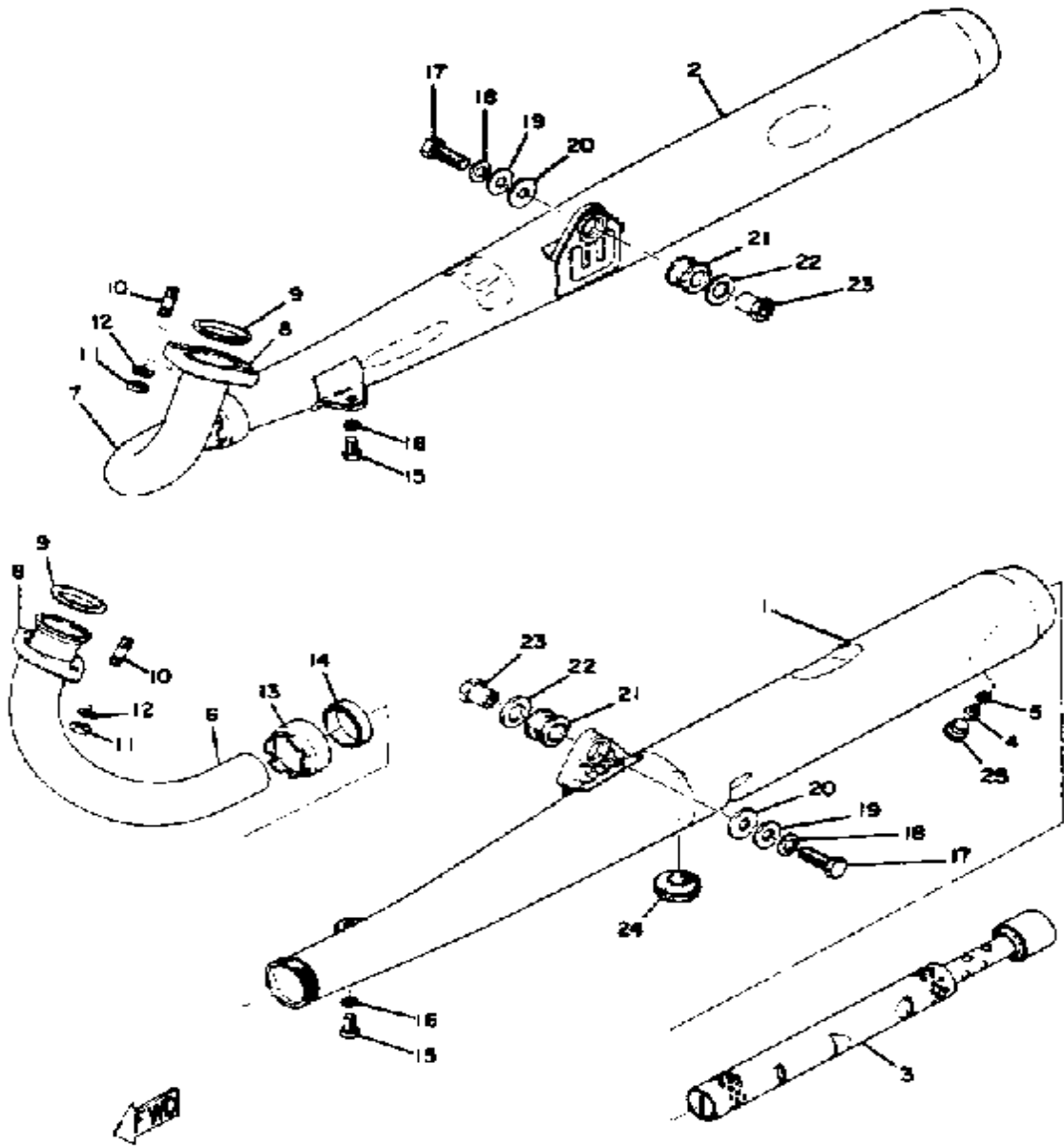
CONTINUED ON NEXT FRAME ➤

CARBURETOR



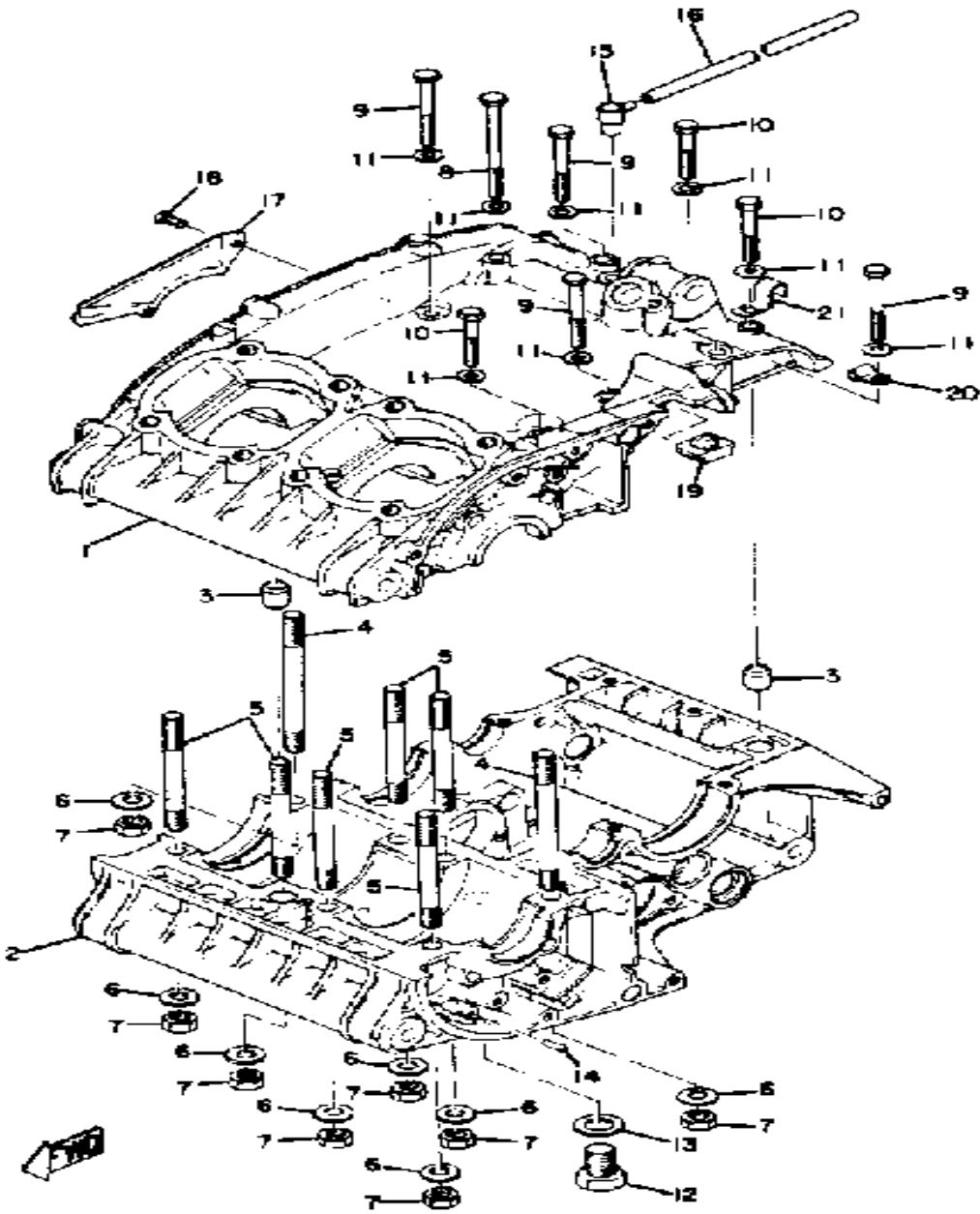
Ref. No.	Part Number	Description	Qty	Remarks
35	256-14135-00-00	. SPRING, PLUNGER	1	
36	93220-09001-00	. O-RING	1	
37	802-14173-00-00	. COVER, PLUNGER CAP	1	
38	ø36-01416-90-00	. UNAVAILABLE IN PRICE BOOK	1	
39	278-14197-00-00	. PIPE	4	
40	90445-09056-00	HOSE	1	
41	UNA-VAILA-BL-EI 0 0	0 0	1	
42	(361-14946-00-00)	. PLATE, NEEDLE FTNG 0 0 ..	2	364~
43	97602-03120-00	. SCREW, PN/HD.W/WSHR 0 0 .	4	364~
44	363-14137-00-00	. CLIP	2	
45	363-14198-00-00	. GASKET	2	
46	363-14155-00-00	. GUIDE, CABLE	2	
47	127-14161-00-00	. NUT, CABLE ADJUSTING ...	2	
48	(361-14124-00-00)	. SCREW, CABLE ADJUSTING	2	

EXHAUST



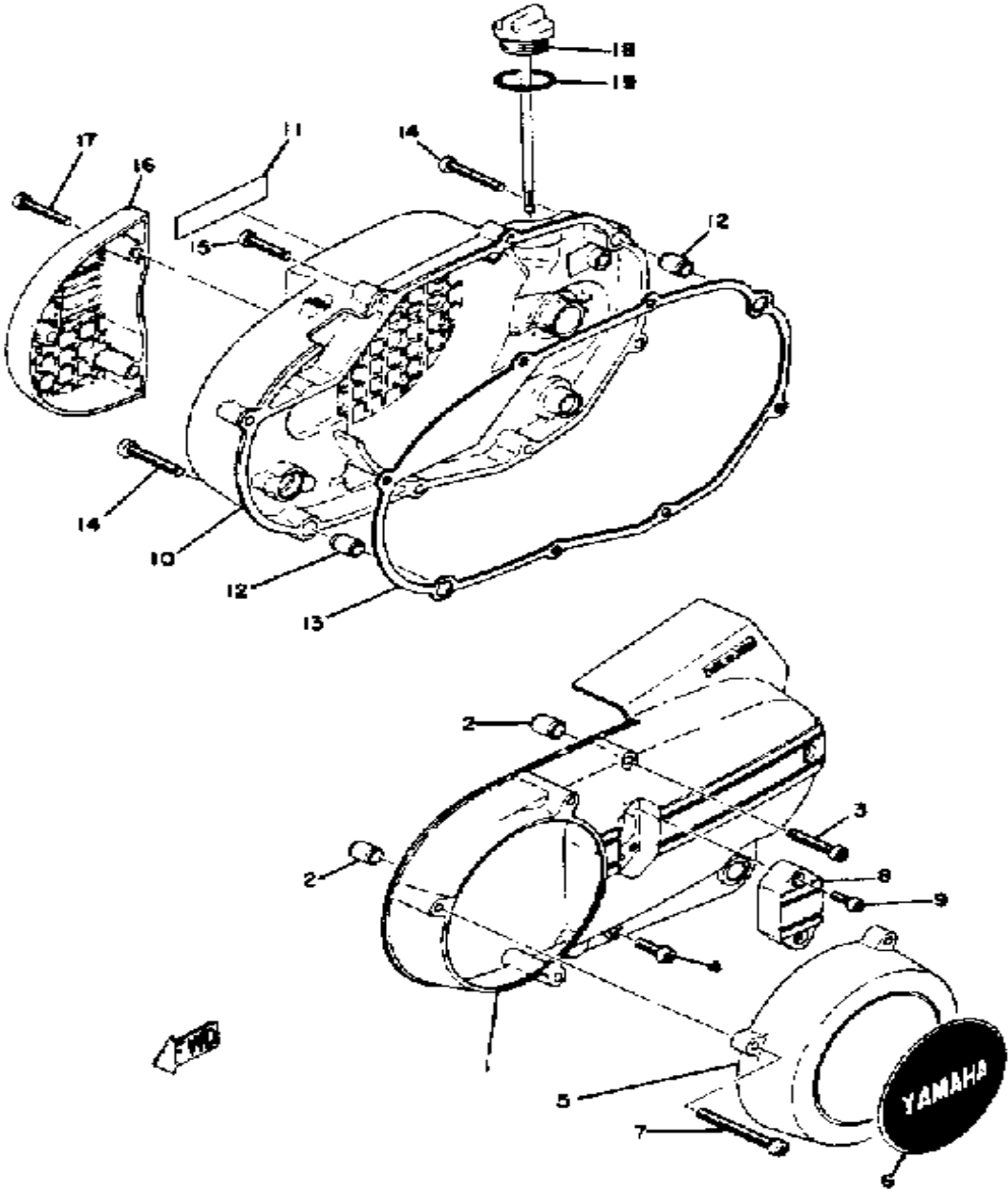
Ref. No.	Part Number	Description	Qty	Remarks
1	(360-14710-03-00)	MUFFLER ASSEMBLY L	1	
2	360-14720-03-00	MUFFLER ASSEMBLY R	1	
3	360-14753-01-00	. SILENCER, EXHAUST	2	
4	98580-06010-00	. SCREW, PAN HEAD (92503-06010)	2	
5	92995-06100-00	. WASHER, SPRING	2	
6	278-14611-00-00	PIPE, EXHAUST L	1	
7	278-14621-00-00	PIPE, EXHAUST R	1	
8	(246-14612-00-00)	NUT, RING	2	
9	152-14613-00-00	GASKET, EXST PIPE	2	
10	90116-08166-00	BOLT, STUD (246-14651-00)	4	
11	95333-08600-00	NUT, HEXAGON	4	
12	92990-08100-00	WASHER	4	
13	360-14713-00-00	NUT, MUFFLER JOINT	2	
14	360-14714-00-00	GASKET, MUFFLER	2	
15	97313-08018-00	BOLT, HEXAGON (97301-08016)	2	
16	92990-08100-00	WASHER	2	
17	90101-10257-00	BOLT	2	
18	92990-10100-00	LOCKWASHER	2	
19	92990-10200-00	WASHER, PLAIN	2	
20	90201-10437-00	WASHER, PLATE	2	
21	168-21639-00-00	DAMPER 2	2	
22	90201-15239-00	WASHER, PLATE	2	
23	90179-10123-00	NUT, SPEC'L SHAPE	2	
24	278-27114-00-00	STOPPER, MAIN STAND	1	
25	90480-14153-00	GROMMET	2	

CRANKCASE



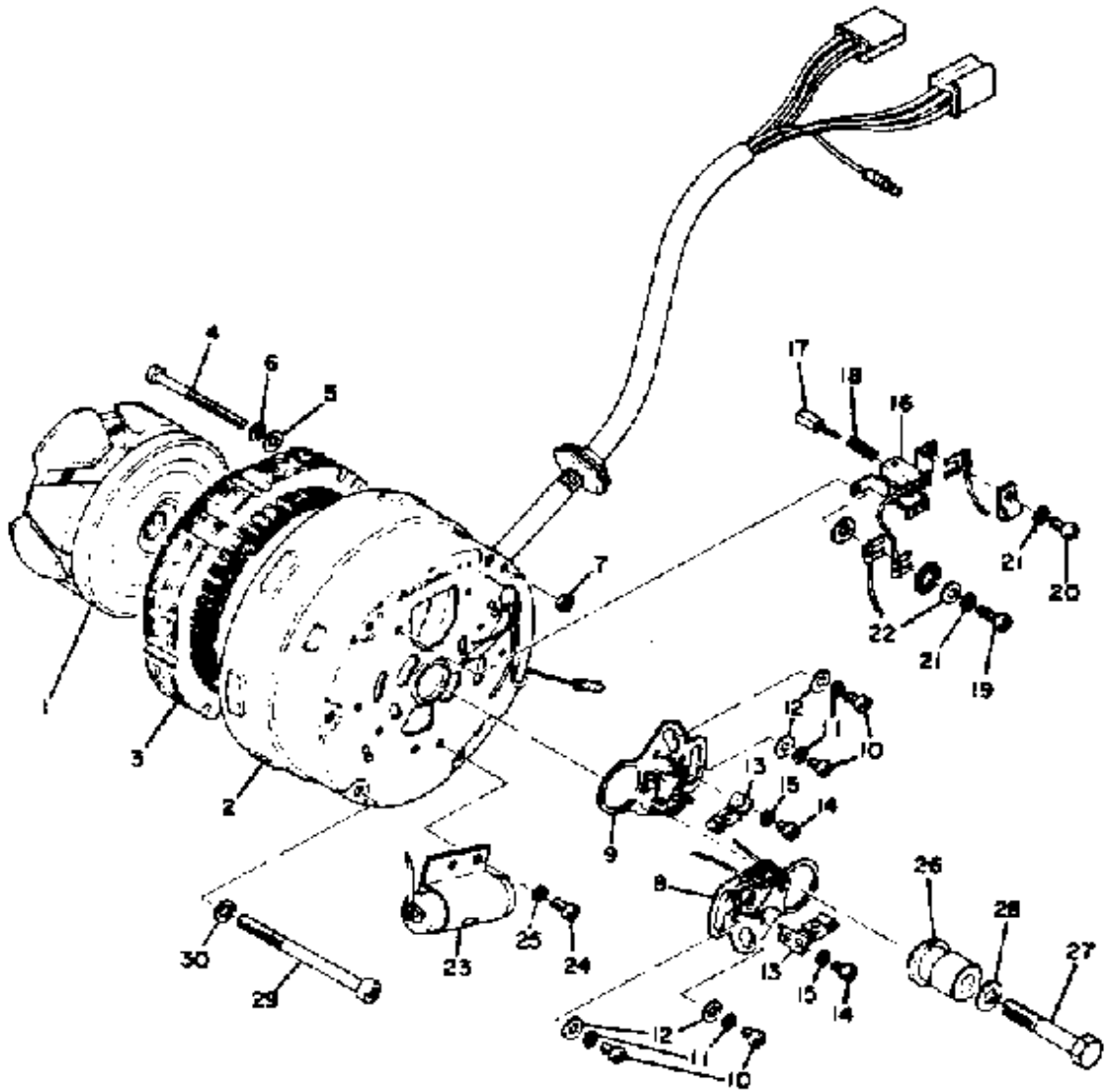
Ref. No.	Part Number	Description	Qty	Remarks
1	(278-15100-02-00)	CRANKCASE ASSEMBLY	1	
	UNA-VAILA-BL-EI	0 0	1	
2	UNA-VAILA-BL-EI	0 0	1	
3	99510-12016-00	PIN, DOWEL	2	
4	90116-08232-00	BOLT, STUD	2	
5	90116-08064-00	BOLT, STUD	6	
6	92990-08200-00	WASHER, PLAIN	8	
7	95333-08600-00	. NUT, HEXAGON	8	
8	97311-06090-00	BOLT, HEXAGON	1	
9	97313-06055-00	BOLT, HEXAGON (97322-06055)	4	
10	97313-06045-00	BOLT (97021-06045-00)	3	
11	92990-06200-00	WASHER	8	
12	90109-14385-00	BOLT	1	
13	137-15353-00-00	GASKET, DRAIN	1	
14	93603-14026-00	PIN, DOWEL	1	
15	583-15371-00-00	BREATHER	1	
16	90446-07241-00	HOSE (3AK)	1	
17	278-15492-01-00	COVER	1	
18	98580-05010-00	SCREW, PAN HEAD	2	
19	278-15441-00-00	HOLDER, CLCH CABLE	1	
20	(90462-05012-00)	CLAMP	1	
21	90462-05005-00	CLAMP	1	

CRANKCASE COVER



Ref. No.	Part Number	Description	Qty	Remarks
1	(360-15411-01-00)	COVER, CRANKCASE L	1	
2	99510-12016-00	PIN, DOWEL	2	
3	98506-06035-00	SCREW, PAN HEAD	2	
4	98516-06020-00	SCREW, PAN HEAD	1	
5	(360-15415-01-00)	COVER, GENERATOR	1	
6	360-15425-01-00	COVER, GENERATOR R	1	
7	98506-06060-00	SCREW, PAN HEAD	3	
8	(360-15417-00-00)	COVER, CAP	1	
9	98506-05020-00	SCREW, PAN HEAD	2	
10	(360-15421-01-00)	COVER, CRANKCASE R	1	
11	360-15435-00-00	EMBLEM	1	
12	99510-12016-00	PIN, DOWEL	2	
13	278-15461-02-00	GASKET, CRCS CVR 2	1	
14	98506-06040-00	SCREW, PAN HEAD	2	
15	98516-06030-00	SCREW, PAN HEAD	6	
16	(360-15416-01-00)	COVER, OIL PUMP	1	
17	98506-06035-00	SCREW, PAN HEAD	3	
18	360-15363-01-00	PLUG, OIL	1	
19	93210-27778-00	O-RING	1	

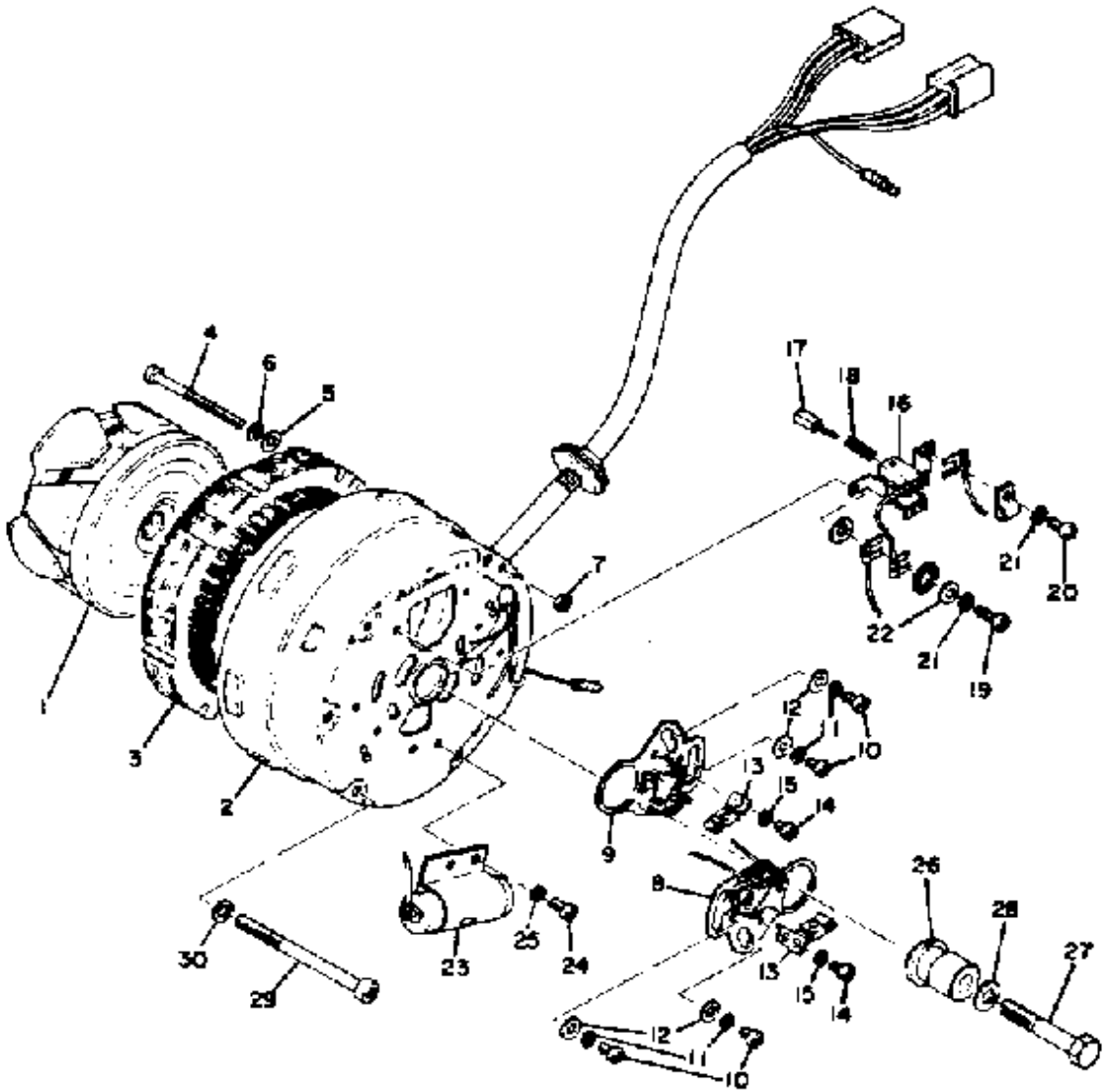
GENERATOR



Ref. No.	Part Number	Description	Qty	Remarks
1	(360-81600-92-00)	AC GENERATOR ASSEMBLY	1	
	(360-81650-20-00)	. ROTOR ASSEMBLY	1	
2	(360-81600-92-00)	. AC GENERATOR ASSEMBLY	1	
3	360-81640-20-00	.. ARMATURE ASSEMBLY	1	
4	1M1-84524-60-00	.. SCREW, LENS FITTING	4	
5	92990-04200-00	.. WASHER, PLAIN	4	
6	92901-04600-00	.. WASHER, PLATE	4	
7	278-81621-20-00	CONTACT BRKR ASSEMBLY	1	
	278-81622-20-00	. CONTACT BRKR ASSEMBLY	1	
	360-81625-90-00	. CONDENSER 1	1	
	95301-04600-00	.. NUT	4	
	ACC-01100-35-10	TUNE KIT RD250/3 0		
	NGK-B8HS0-00-00	. PLUG, SPARK	2	
	ϕ16-92812-10-00	. UNAVAILABLE IN PRICE BOOK	1	
8	278-81621-20-00	.. CONTACT BRKR ASSEMBLY	1	
9	278-81622-20-00	.. CONTACT BRKR ASSEMBLY	1	
10	98580-04008-00	.. SCREW, PAN HEAD	4	
11	92901-04600-00	.. WASHER, PLATE	4	
12	92990-04200-00	.. WASHER, PLAIN	4	
13	(131-81231-20-00)	.. LUBRICATOR	2	
14	98580-04008-99	.. UNAVAILABLE IN PRICE BOOK (98501-04008)	2	
15	92901-04600-00	.. WASHER, PLATE	2	
16	360-81619-20-00	.. BRUSH HOLDER ASSEMBLY	1	
17	278-81611-20-00	.. BRUSH 1	2	
18	278-81617-20-00	.. SPRING, BRUSH	2	
19	98511-04012-00	.. SCREW, PAN HEAD	1	
20	98580-04008-00	.. SCREW, PAN HEAD	1	

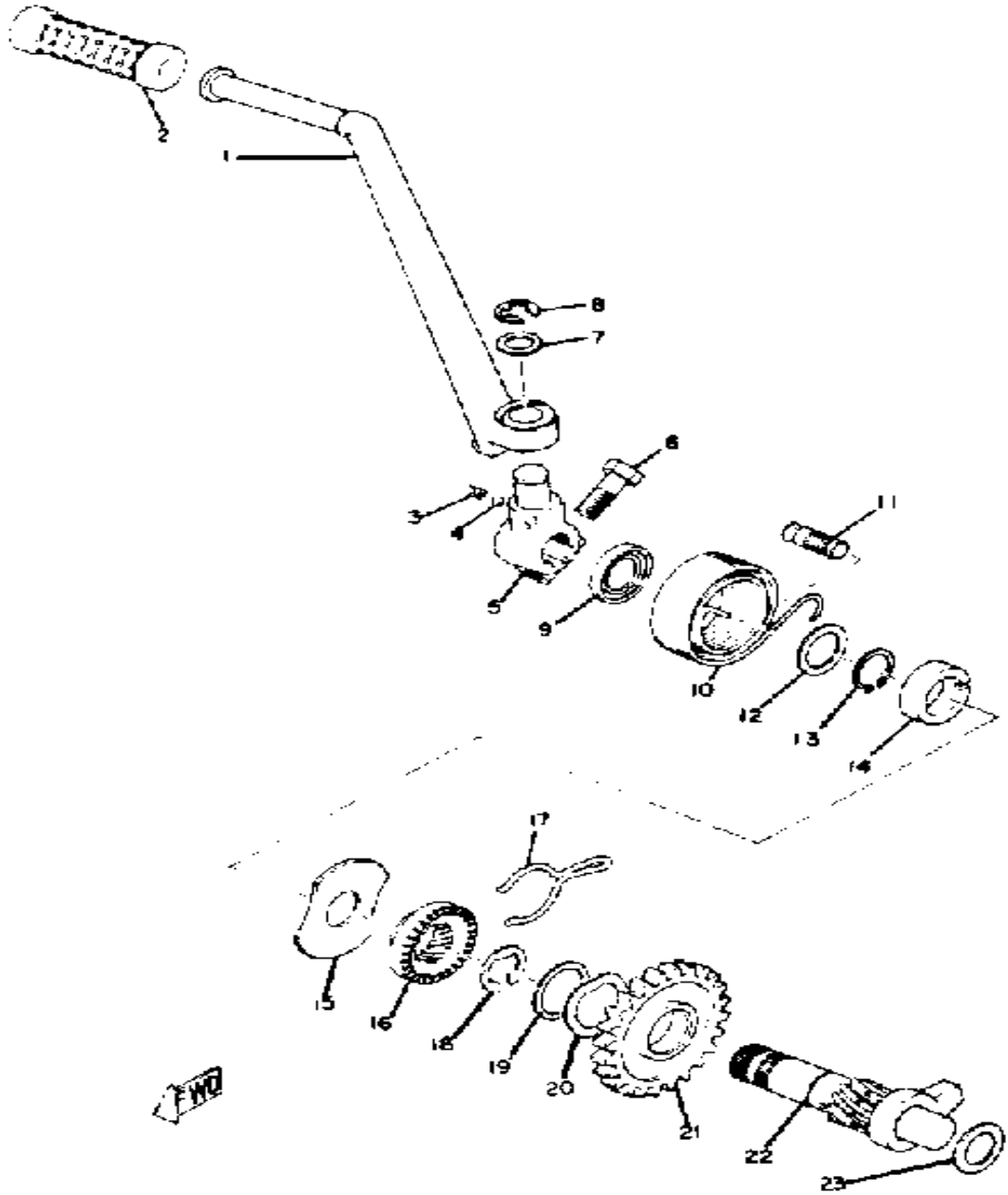
CONTINUED ON NEXT FRAME ►

GENERATOR



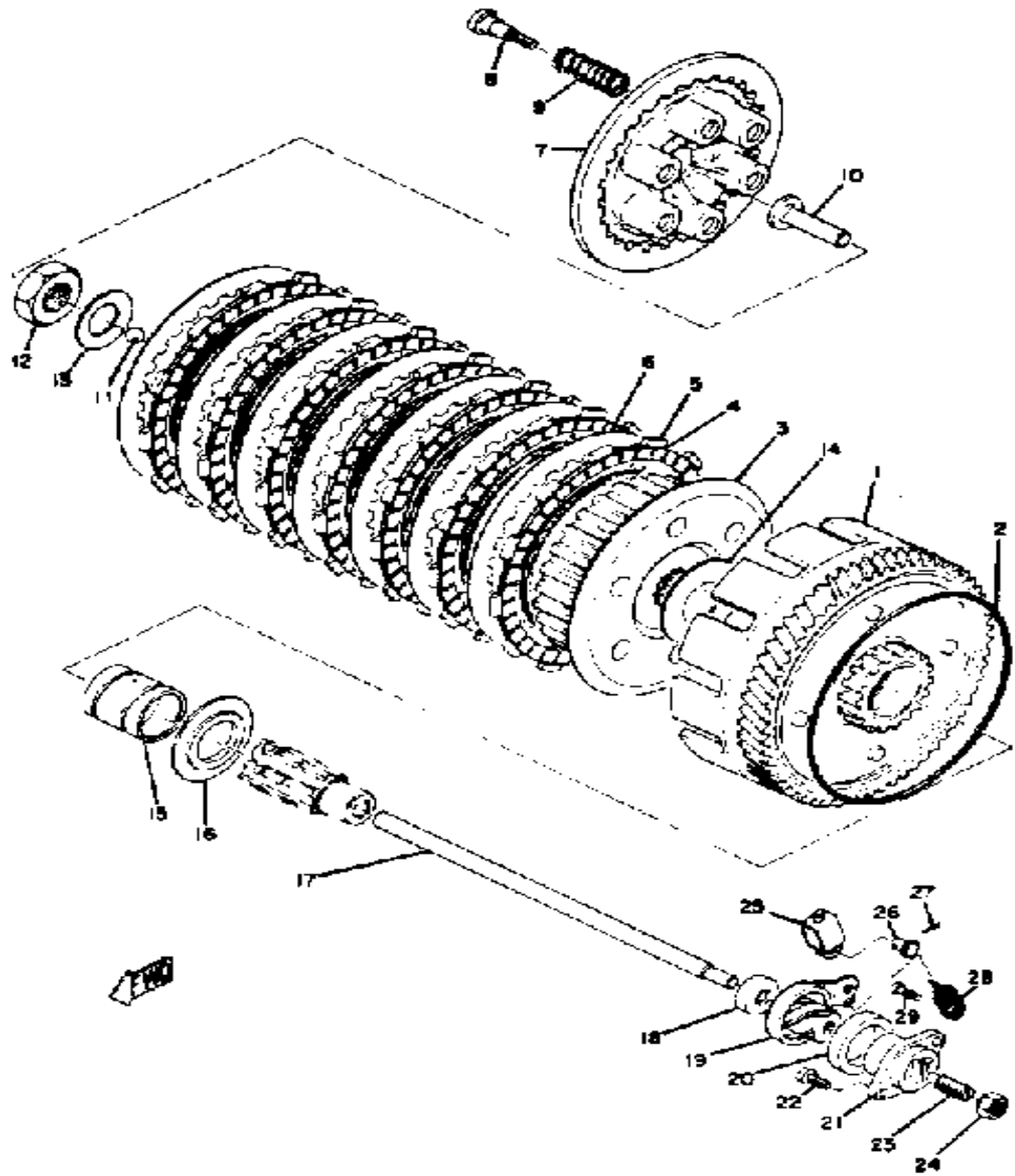
Ref. No.	Part Number	Description	Qty	Remarks
21	92901-04600-00	. . WASHER, PLATE	2	
22	92990-04200-00	. . WASHER, PLAIN	1	
23	278-81621-20-00	. CONTACT BRKR ASSEMBLY	1	
	278-81622-20-00	. CONTACT BRKR ASSEMBLY	1	
	360-81625-90-00	. . CONDENSER 1	1	
	ACC-01100-35-10	TUNE KIT RD250/3 0		
	NGK-B8HS0-00-00	. PLUG, SPARK	2	
	ϕ16-92812-10-00	. UNAVAILABLE IN PRICE BOOK	1	
24	98580-04008-00	. . SCREW, PAN HEAD	2	
25	92901-04600-00	. WASHER, PLATE	2	
26	278-81651-20-00	. CAM	1	
27	278-81652-20-00	. BOLT	1	
28	92990-08100-00	. WASHER	1	
29	98501-05070-00	. SCREW, PAN HEAD	3	
30	92990-05100-00	. WASHER, SPRING	3	

STARTER



Ref. No.	Part Number	Description	Qty	Remarks
1	2F3-15611-00-93	CRANK, KICK	1	
2	156-15618-01-00	COVER, KICK LEVER	1	
3	90501-12081-00	SPRING, COMPRESSION	1	
4	93507-32031-00	BALL	1	
5	583-15621-00-00	BOSS, KICK CRANK	1	
6	97313-08030-00	BOLT, HEXAGON	1	
7	90201-15234-00	WASHER, PLATE	1	
8	99006-10600-00	CIRCLIP	1	
9	93104-20007-00	OIL SEAL, SO-TYPE	1	
10	90508-30051-00	SPRING, TORSION	1	
11	248-15668-00-00	STOPPER	1	
12	90201-20266-00	WASHER, PLATE (1.0T)	1	
13	99009-20400-00	CIRCLIP	1	
14	278-15666-00-00	SPACER (278-15666-01)	1	
15	278-15676-00-00	COVER, SPRING	1	
16	278-15671-01-00	WHEEL, RATCHET	1	
17	90468-26045-00	CLIP (256-15687-00)	1	
18	93440-25084-00	CIRCLIP	1	
19	90201-25490-00	WASHER, PLATE	1	
20	(90206-25029-00)	WASHER, WAVE	1	
21	278-15641-01-00	GEAR, KICK	1	
22	278-15660-01-00	KICK AXLE ASSEMBLY	1	
23	136-17417-00-10	SHIM 1	1	

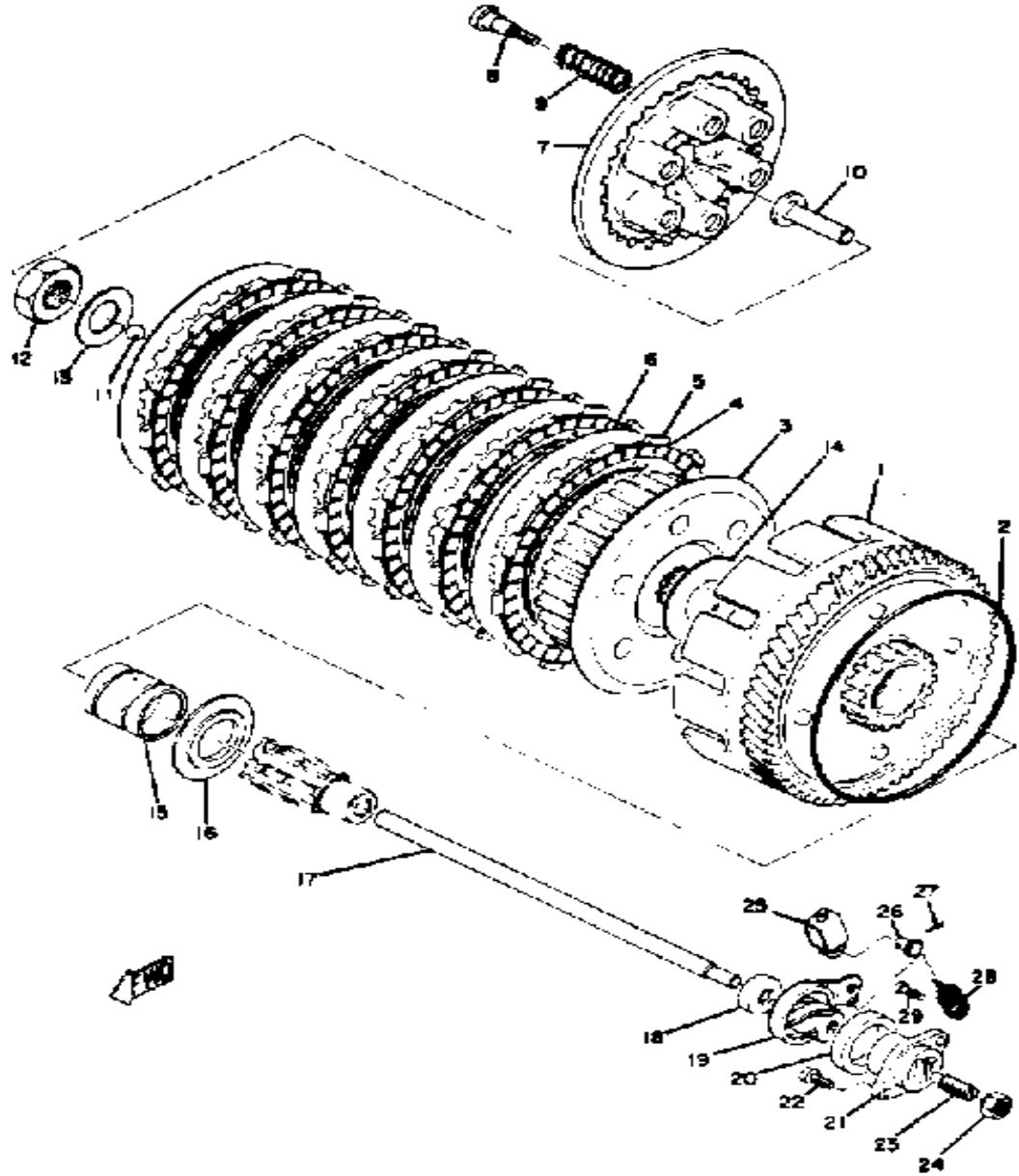
CLUTCH



Ref. No.	Part Number	Description	Qty	Remarks
1	ø27-81615-00-20	. UNAVAILABLE IN PRICE BOOK (66T)	1	
	ø36-01630-10-10	UNAVAILABLE IN PRICE BOOK	1	
2	93211-15149-00	. O-RING	1	
3	360-16370-00-00	. CLUTCH BOSS ASSEMBLY 0 1	1	081~
4	278-16367-00-00	RING, CUSHION	7	
5	360-16321-00-00	. PLATE, FRICTION 0 7	7	
6	360-16325-00-00	. PLATE, CLUTCH 2	7	081~
7	214-16351-00-00	. PLATE, PRESSURE 1	1	
8	(90149-05147-00)	. SCREW, SPECL SHAPE	6	
9	90501-20361-00	. SPRING, COMPRESSION	6	
10	174-16356-00-00	ROD, PUSH 1	1	
11	93505-16006-00	BALL	1	
12	90170-18089-00	NUT, HEXAGON	1	
13	214-16119-00-00	SPRING, BELLEVILLE	1	
14	170-16164-00-00	PLATE, THRUST 2	1	
15	278-16181-01-00	SPACER 1	1	
16	(278-16154-00-00)	PLATE, THRUST 1	1	
	360-16154-00-00	PLATE, THRUST 1	1	
17	237-16357-01-00	ROD, PUSH 2	1	
18	93109-08061-00	OIL SEAL	1	
19	360-16340-00-00	PUSH LEVER ASSEMBLY	1	
20	214-16347-01-00	SEAL, DUST	1	
21	371-16396-00-00	HOUSING, PUSH SCREW	1	
22	98580-05012-00	SCREW, PAN HEAD	2	
23	90113-08012-00	UNAVAILABLE IN PRICE BOOK	1	
24	90179-08179-00	NUT	1	
25	214-16389-00-00	JOINT	1	
26	90240-06005-00	PIN, CLEVIS	1	

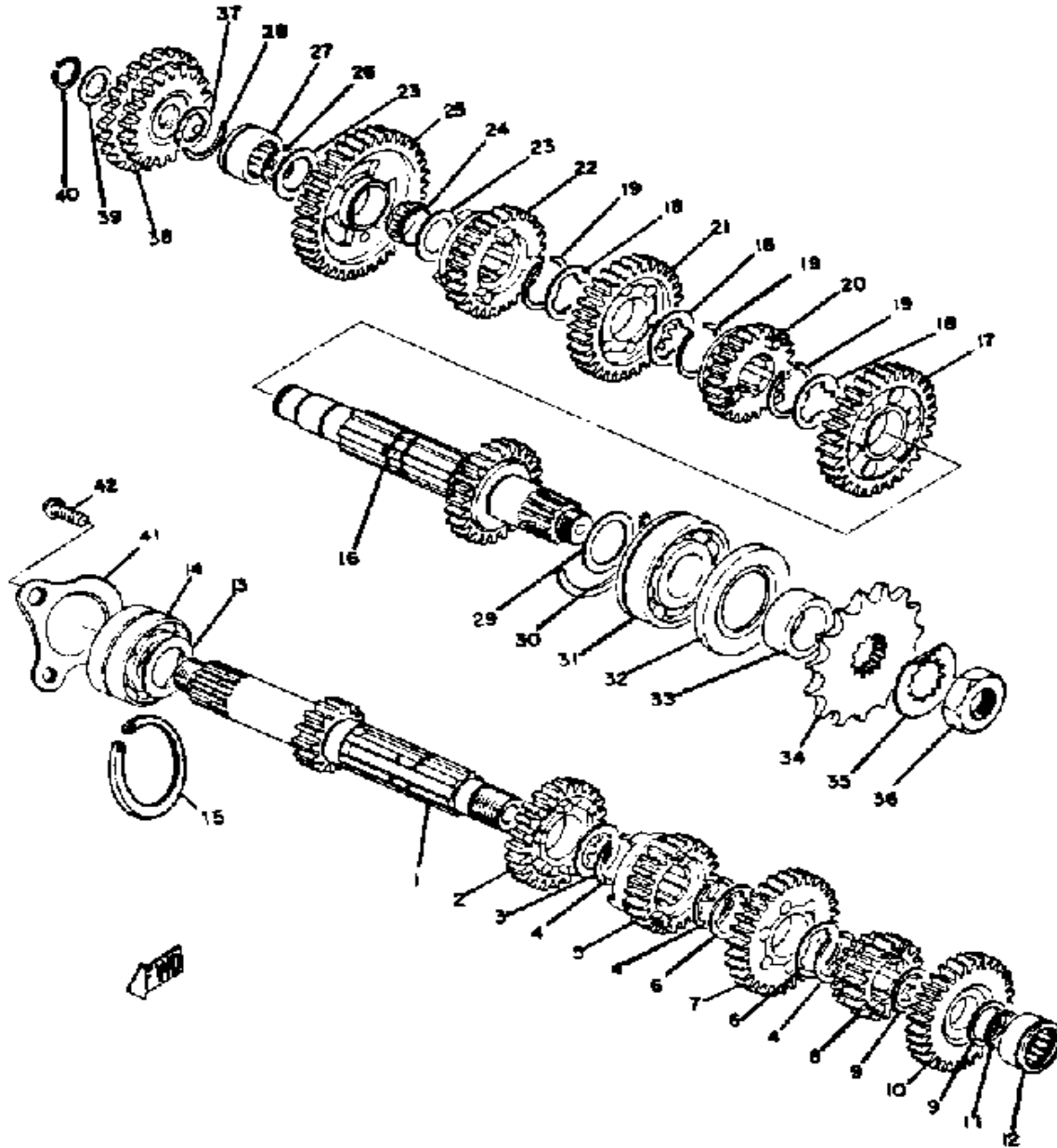
CONTINUED ON NEXT FRAME ►

CLUTCH



Ref. No.	Part Number	Description	Qty	Remarks
27	91401-10015-00	PIN, COTTER	1	
28	90506-10069-00	SPRING, TENSION	1	
29	132-16346-00-00	HOOK, SPRING	1	

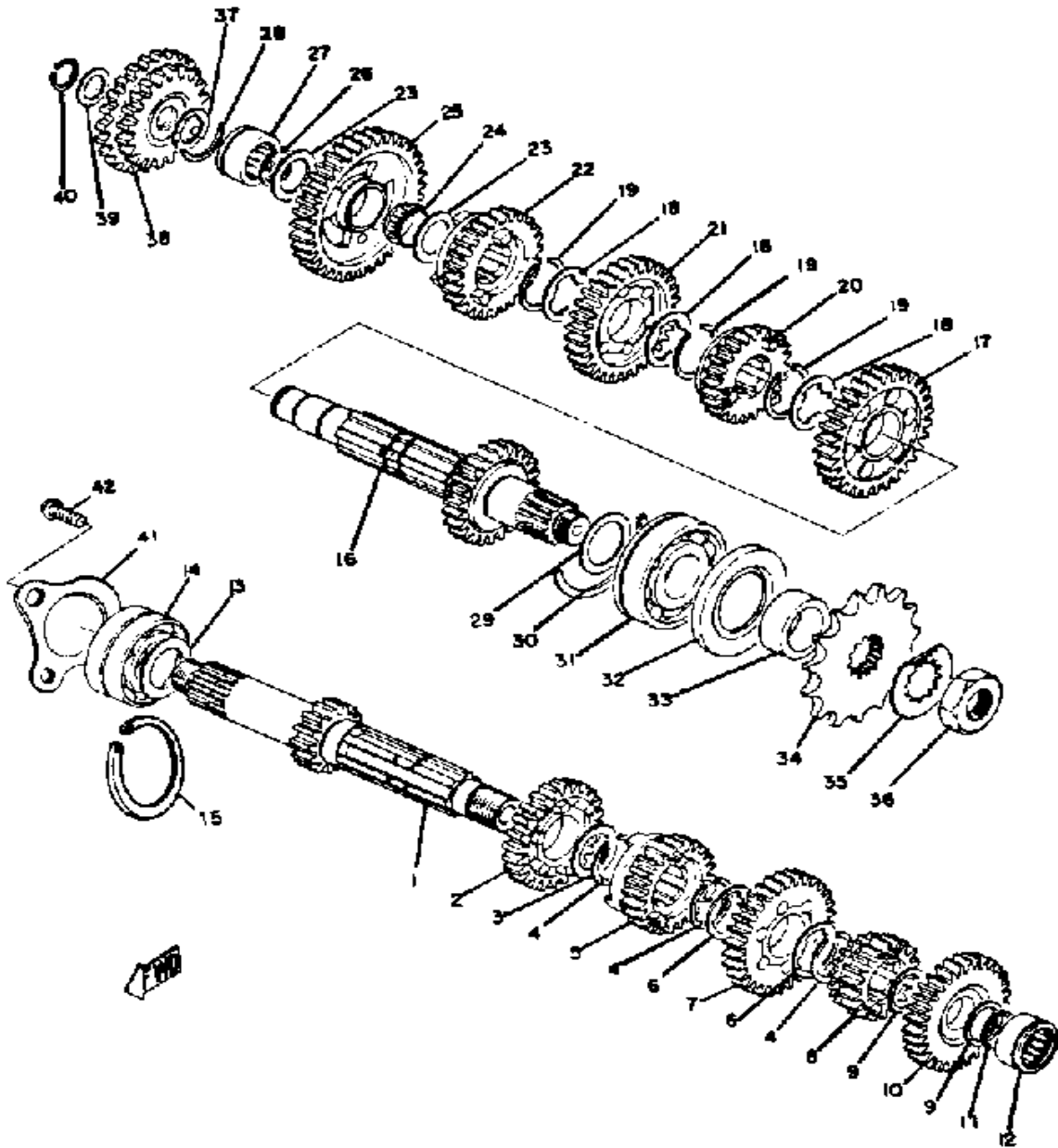
TRANSMISSION



Ref. No.	Part Number	Description	Qty	Remarks
1	(360-17411-00-00)	AXLE, MAIN	1	
2	(360-17141-00-00)	GEAR, 4TH PINION	1	
3	90201-25490-00	WASHER, PLATE	1	
4	93440-25084-00	CIRCLIP	3	
5	(360-17131-00-00)	GEAR, 3RD PINION	1	
6	90209-21105-00	WASHER	2	
7	ø36-01716-10-00	UNAVAILABLE IN PRICE BOOK	1	
8	1A1-17121-00-00	GEAR, 2ND PINION	1	
9	90201-20266-00	WASHER, PLATE (1.0T)	2	
10	(360-17151-00-00)	GEAR, 5TH PINION	1	
11	99009-20400-00	CIRCLIP	1	
12	93311-22027-00	BEARING, CYLINDRICAL	1	
13	168-17428-01-03	SHIM 2 (25-34-0.3)	1	
	168-17428-01-05	SHIM 2 (25-34-0.5)	1	
14	93305-20502-00	BEARING (93305-20508-00) ...	1	
15	93440-52009-00	CIRCLIP	1	
16	360-17420-00-00	DRIVE AXLE ASSEMBLY	1	
17	360-17221-00-00	GEAR, 2ND WHEEL	1	
18	90209-21106-00	WASHER, SPEC'L SHAP	3	
19	93440-25084-00	CIRCLIP	3	
20	(360-17261-00-00)	GEAR, 6TH WHEEL	1	
21	360-17231-00-00	GEAR, 3RD WHEEL	1	
22	(360-17241-00-00)	GEAR, 4TH WHEEL	1	
23	90201-20276-00	WASHER, PLATE (1.0T)	2	
24	93310-22057-00	BEARING (K20-24X10 S)	1	
25	360-17211-00-00	GEAR, 1ST WHEEL	1	
26	99009-20400-00	CIRCLIP	1	
27	93311-42045-00	BEARING (20NG3315NE)	1	
28	278-17425-00-00	CIRCLIP 2	1	

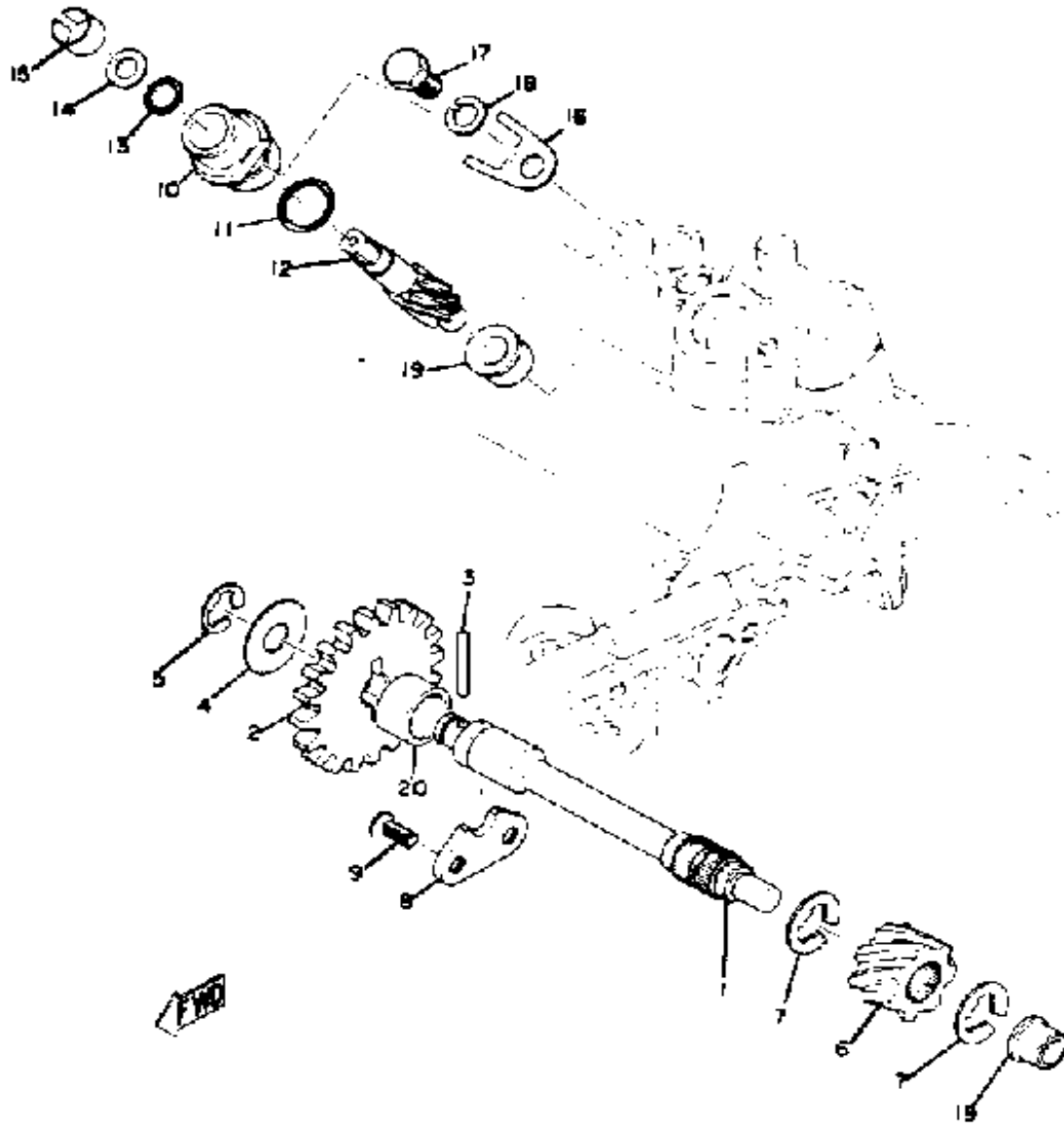
CONTINUED ON NEXT FRAME ➤

TRANSMISSION



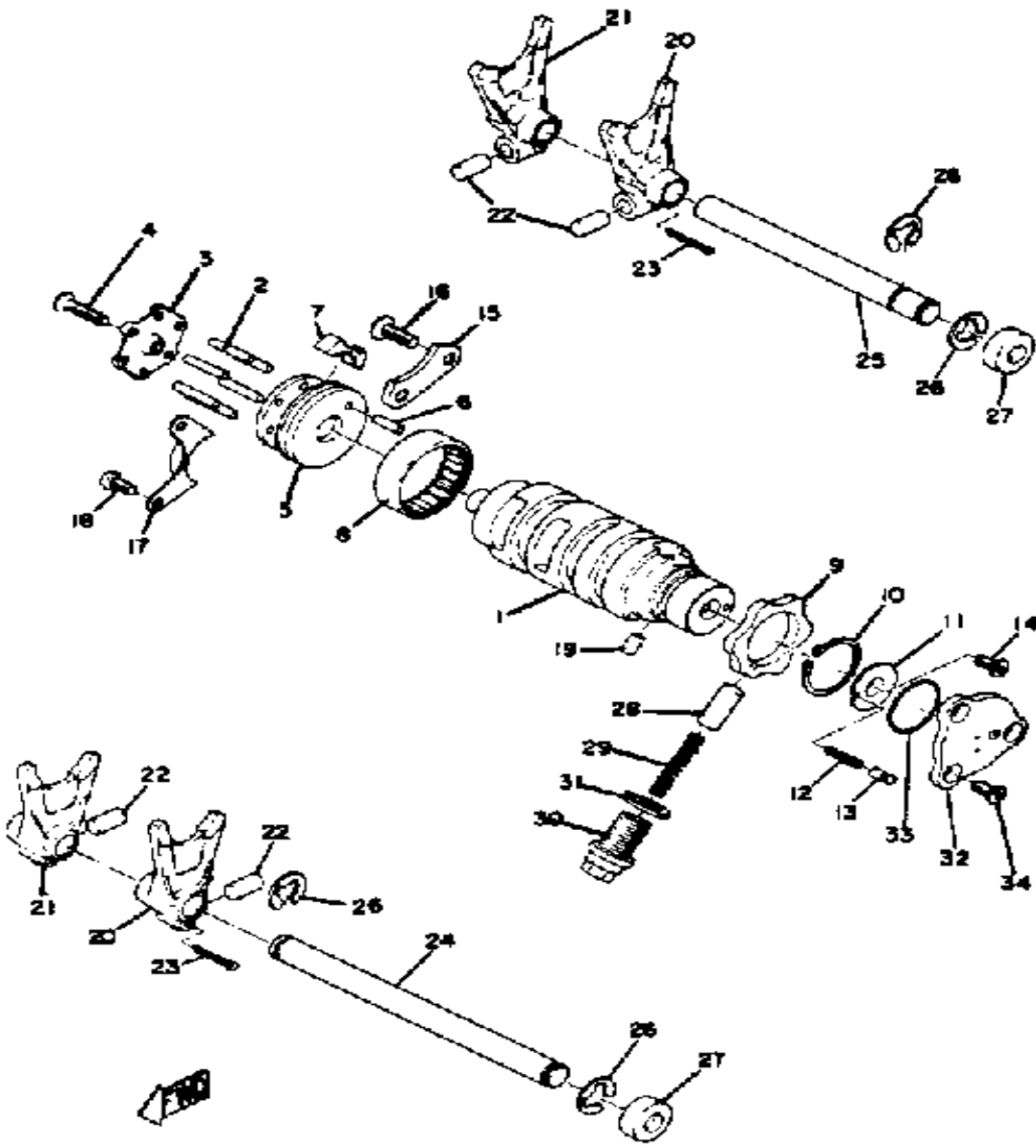
Ref. No.	Part Number	Description	Qty	Remarks
29	168-17428-01-03	SHIM 2 (25-34-0.3)	1	
	168-17428-01-05	SHIM 2 (25-34-0.5)	1	
30	278-17424-01-00	CIRCLIP 1	1	
31	93306-30506-00	BEARING (B6305N) (93306-30504-00)	1	
32	93102-35109-00	OIL SEAL (SD-35-62-6 HS)	1	
33	90387-25192-00	COLLAR	1	
34	9385E-14160-00	SPROCKET, DRIVE	1	UR
	9385E-15090-00	SPROCKET, DRIVE 15T	1	UR STD
	9385E-16114-00	SPROCKET, DRIVE 16T	1	UR
35	90215-21022-00	WASHER, LOCK	1	
36	90179-18020-00	NUT	1	
37	90206-15021-00	WASHER, WAVE	1	
38	(278-15650-00-00)	IDLE GEAR ASSEMBLY	1	
39	164-17417-00-10	SHIM 1 (1.0T)	1	
40	99009-15400-00	CIRCLIP	1	
41	360-17471-00-00	PLATE, COVER	1	
42	98701-06014-00	SCREW, FLAT HEAD	3	

TACHOMETER



Ref. No.	Part Number	Description	Qty	Remarks
1	ø27-81786-10-00	UNAVAILABLE IN PRICE BOOK	1	
2	278-17851-00-00	GEAR, PRIMARY (20T)	1	
3	93603-22028-00	PIN, DOWEL	1	
4	90201-105J4-00	WASHER, PLATE (90201-106H1)	1	
5	99001-08600-00	CIRCLIP	1	
6	(278-17831-00-00)	GEAR, DRIVE	1	
7	99006-10600-00	CIRCLIP	2	
8	(278-17812-00-00)	STOPPER	1	
9	98701-05012-00	SCREW, FLAT HEAD	2	
10	353-17810-00-00	HOUSING ASSEMBLY, TACH (214-17811-01)	1	
11	93210-13016-00	O-RING	1	
12	214-17841-01-00	GEAR, DRIVEN	1	
13	93210-07100-00	O-RING	1	
14	214-17847-00-00	SHIM (7.5-10.8-0.4)	1	
15	90383-10005-00	BUSH, FORMED (214-17815-00) 0 1	1	
16	5U7-17812-00-00	STOPPER	1	
17	97011-06010-00	BOLT	1	
18	92995-06100-00	WASHER, SPRING	1	
19	90381-08002-00	BUSHING (214-17843-00)	2	
20	ø90-38014-04-00	UNAVAILABLE IN PRICE BOOK	1	

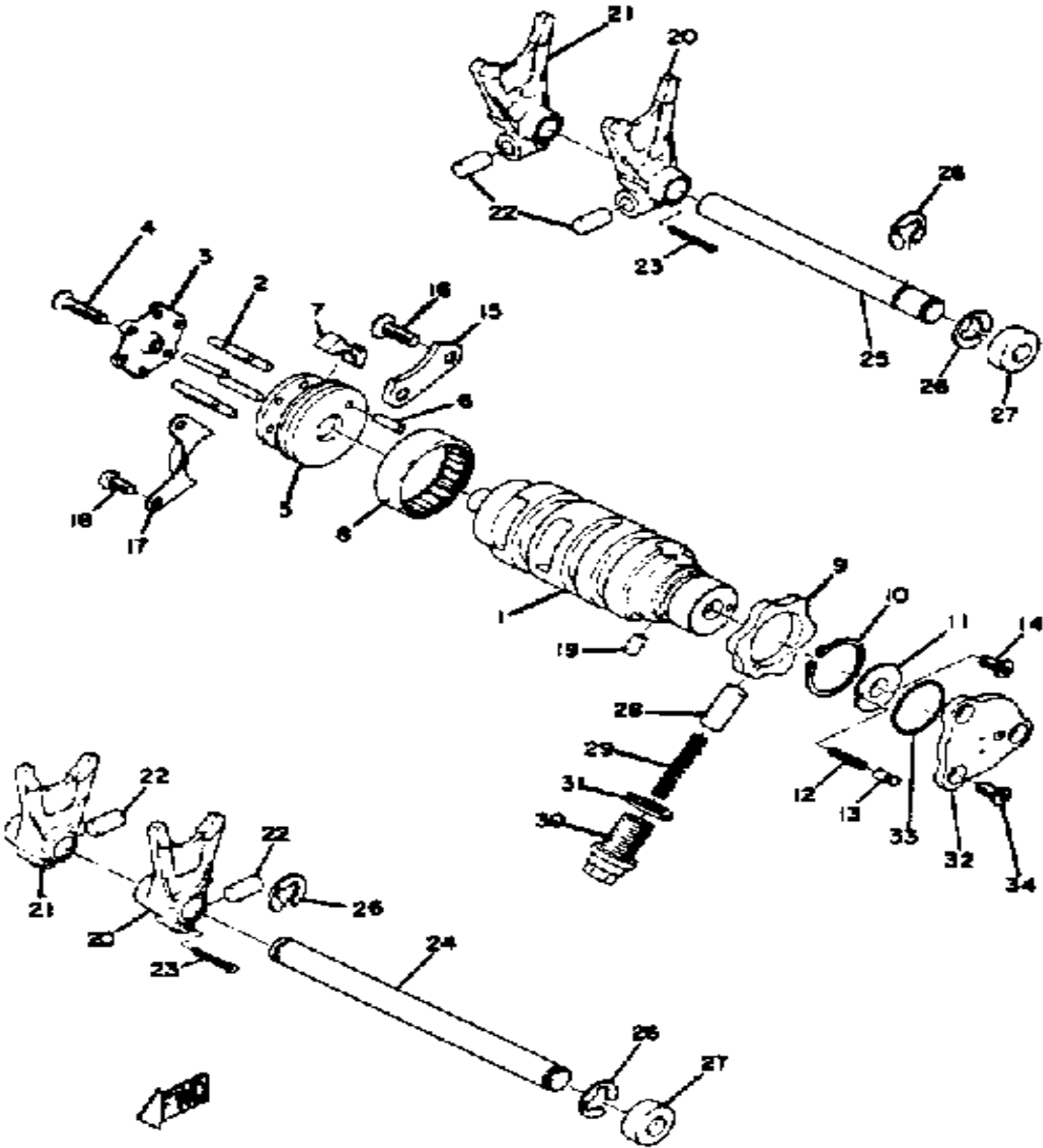
SHIFT CAM - FORK



Ref. No.	Part Number	Description	Qty	Remarks
1	(360-18541-00-00)	CAM, SHIFT	1	
2	93604-22050-00	PIN, DOWEL	6	
3	328-18561-00-00	PLATE, SIDE 1	1	
4	98701-05020-00	SCREW, FLAT HEAD	1	
5	(328-18185-00-00)	SEGMENT	1	
6	93604-14012-00	PIN, DOWEL	1	
7	(328-18352-10-00)	PLATE, PAWL	1	
8	93315-23612-00	BEARING	1	
9	360-18141-01-00	PLATE, STOPPER	1	
10	99009-30400-00	CIRCLIP	1	
11	278-18566-00-00	PLATE, SIDE 2	1	
12	90501-06022-00	SPRING, COMPRESSION	1	
13	278-18542-00-00	POINT, NEUTRAL	1	
14	98701-05012-00	SCREW, FLAT HEAD	1	
15	(328-18562-00-00)	PLATE, STOPPER 2	1	
16	98701-06014-00	SCREW, FLAT HEAD	2	
17	328-18179-00-00	GUIDE	1	
18	98580-05010-00	SCREW, PAN HEAD	2	
19	93604-08071-00	PIN, DOWEL	1	
20	328-18511-01-00	FORK, SHIFT 1	2	
21	328-18512-01-00	FORK, SHIFT 2	2	
22	90250-08017-00	PIN, STRAIGHT	4	
23	91401-25030-00	PIN, COTTER	4	
24	278-18531-00-00	BAR, SHIF FRK GDE 1	1	
25	(278-18535-00-00)	BAR, SHIF FRK GDE 2	1	
26	99006-10600-00	CIRCLIP	4	
27	90338-22021-00	PLUG, SPEC'L SHAPE (371-18149-00)	2	
28	278-18547-02-00	STOPPER, CAM	1	

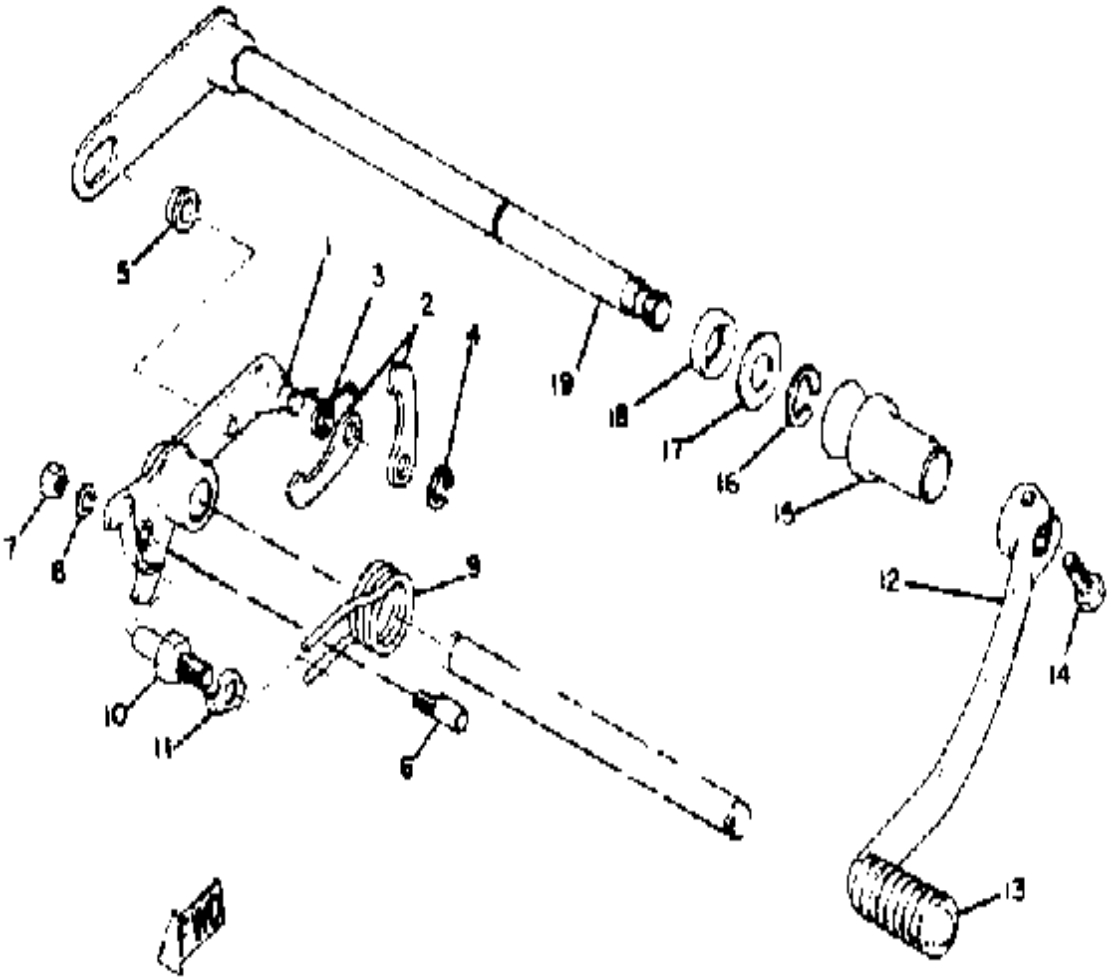
CONTINUED ON NEXT FRAME ➤

SHIFT CAM - FORK



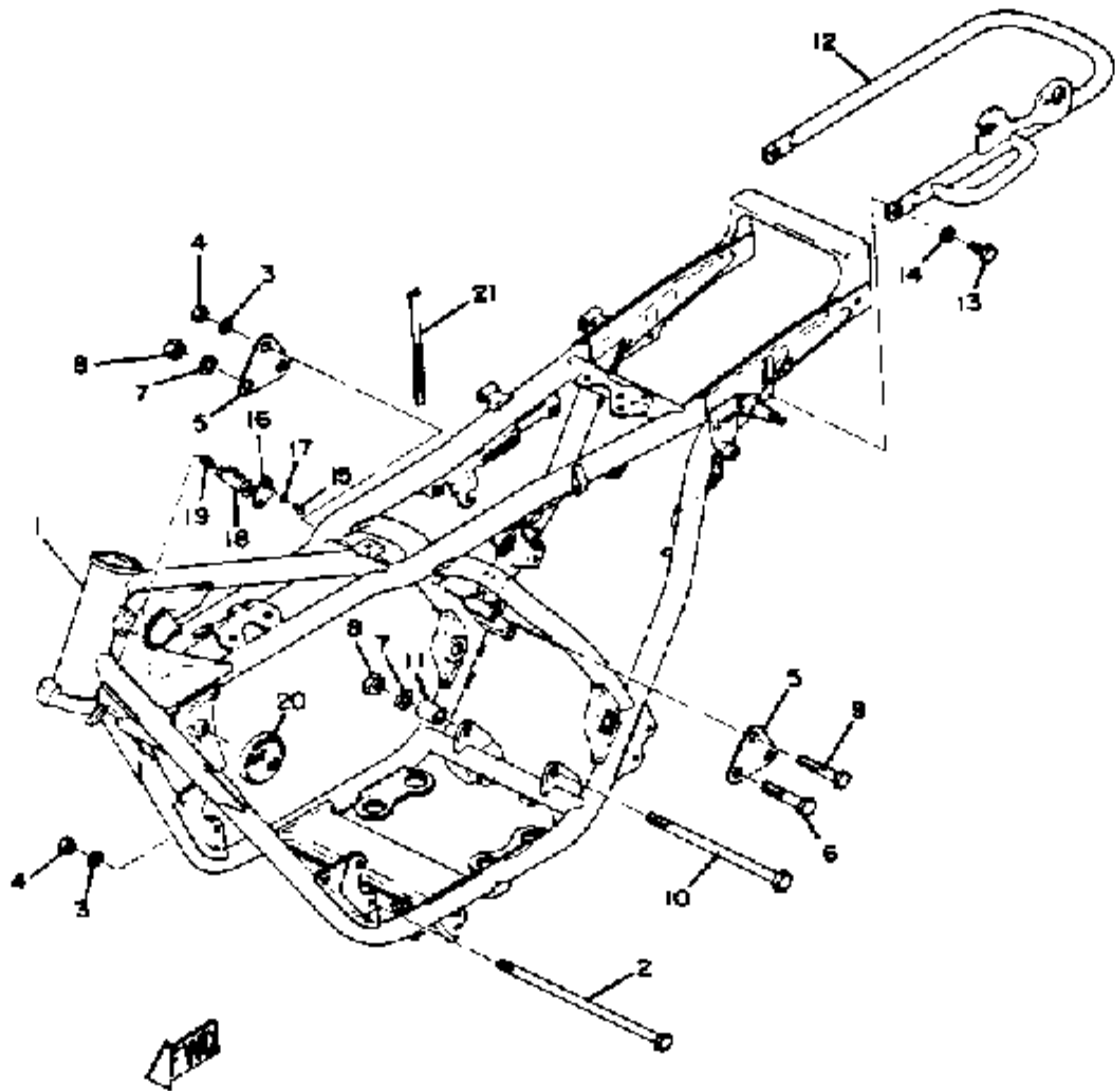
Ref. No.	Part Number	Description	Qty	Remarks
29	90501-10062-00	SPRING, COMPRESSION	1	
30	90149-14031-00	SCREW, SPEC'L SHAPE	1	
31	137-15353-00-00	GASKET, DRAIN	1	
32	1L9-82540-00-00	NEUTRAL SWITCH ASSEMBLY	1	
33	93210-29147-00	O-RING	1	
34	98701-05020-00	SCREW, FLAT HEAD	3	

SHIFT SHAFT



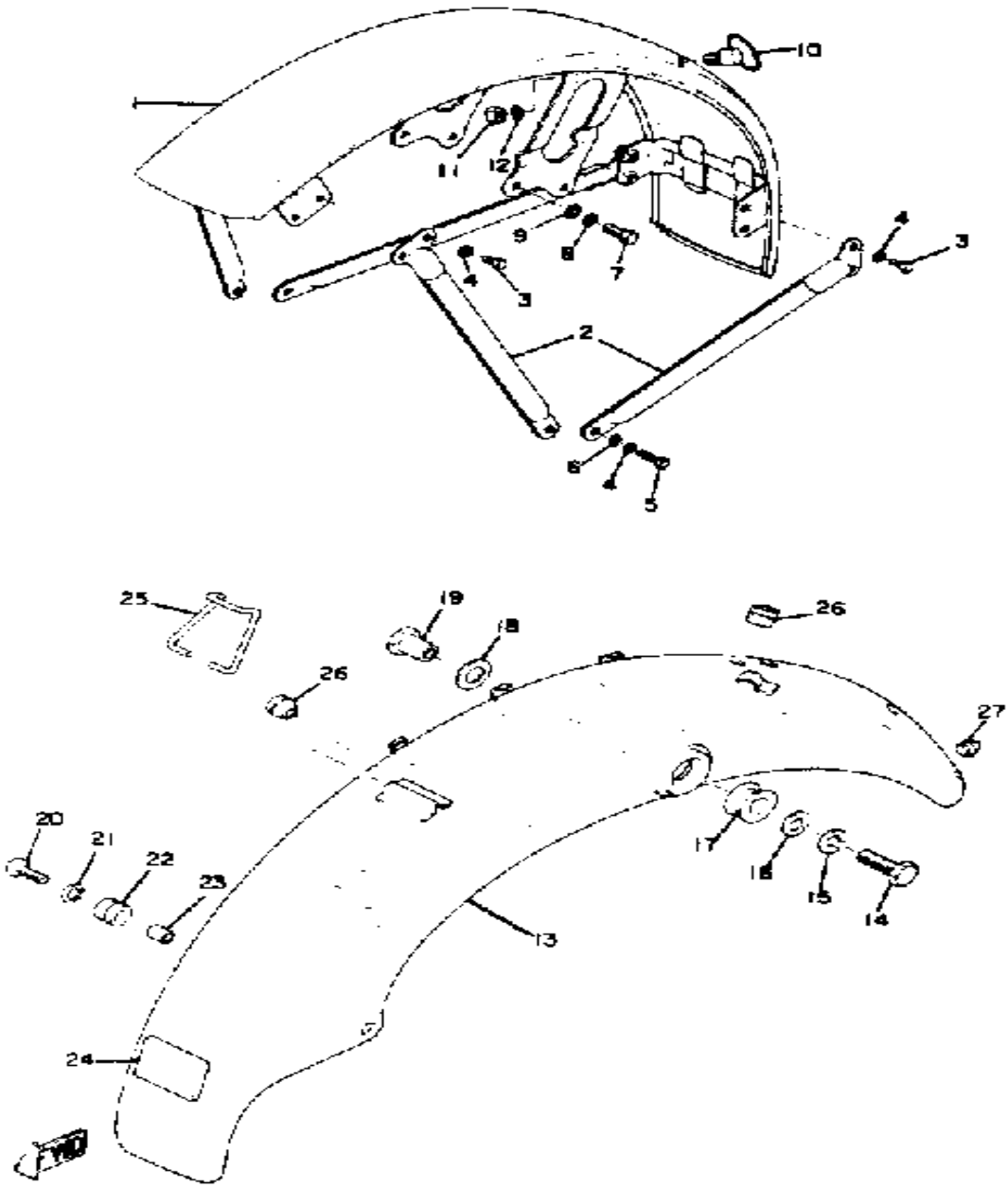
Ref. No.	Part Number	Description	Qty	Remarks
1	328-18128-00-00	BRACKET	1	
2	(328-18151-00-00)	LEVER, SHIFT 3	2	
3	90508-08007-00	SPRING, TORSION (214-18123-00)	1	
4	99080-07600-00	CIRCLIP (E)	1	
5	214-18178-00-00	ROLLER, SHIFT LEVER	1	
6	90149-06017-00	SCREW, SPEC'L SHAPE (214-18186-00)	1	
7	95380-06600-00	NUT	1	
8	92995-06100-00	WASHER, SPRING	1	
9	90508-32055-00	SPRING, TORSION	1	
10	278-18127-00-00	STOPPER, SCREW	1	
11	90215-08015-00	WASHER, LOCK (214-18139-00)	1	
12	278-18111-00-93	PEDAL, SHIFT	1	
13	132-18113-01-00	COVER, SHIFT PEDAL	1	
14	97011-06020-00	BOLT	1	
15	278-18131-00-00	BOOT, SEALING	1	
16	99006-10600-00	CIRCLIP	1	
17	90201-12575-00	WASHER, PLATE	1	
18	93102-12321-00	OIL SEAL, SD-TYPE	1	
19	278-18101-01-00	SHIFT SHAFT ASSEMBLY 1	1	

FRAME



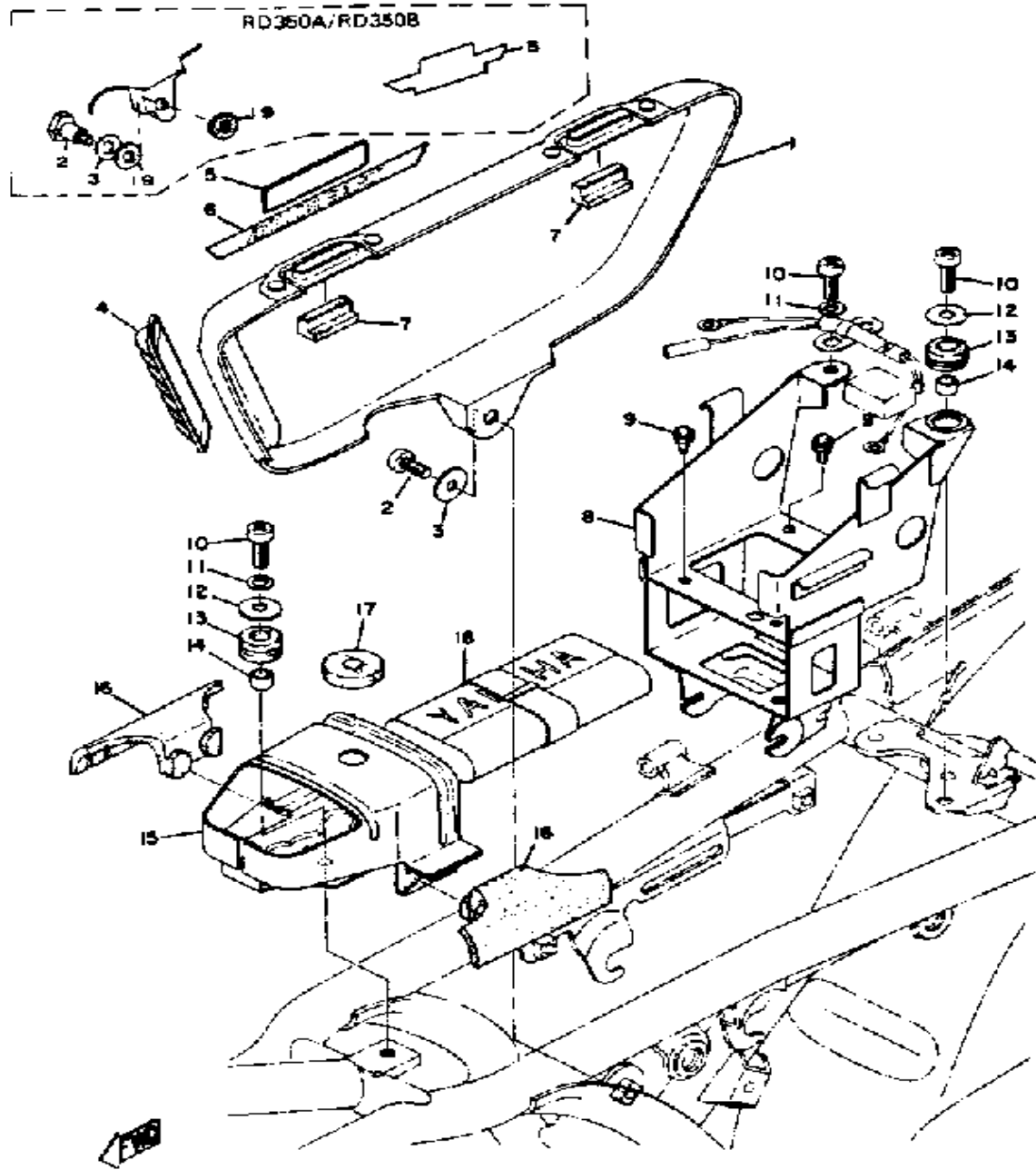
Ref. No.	Part Number	Description	Qty	Remarks
1	ø36-02111-00-13	UNAVAILABLE IN PRICE BOOK	1	
2	90105-08033-00	BOLT, WASHER BASED	2	
3	92990-08100-00	WASHER	4	
4	95333-08600-00	NUT, HEXAGON	4	
	95701-08500-00	NUT, FLANGE	4	
5	(248-21315-00-00)	STAY, ENGINE 2	2	
6	95821-10060-00	BOLT, FLANGE	1	
	97313-10055-00	BOLT, HEXAGON (97322-10055)	1	
7	92990-10100-00	LOCKWASHER	2	
8	95303-10600-00	NUT (95301-10600)	2	
	95701-10500-00	NUT, FLANGE (95702-10500)	2	
9	95811-08055-00	BOLT, FLANGE	2	
	97313-08055-00	BOLT, HEXAGON	2	
10	95821-10200-00	BOLT, FLANGE	1	
11	90387-12101-00	COLLAR	1	
12	(360-21645-00-00)	STAY, REAR	1	
13	97313-08020-00	BOLT, HEXAGON	2	
14	92990-08100-00	WASHER	2	
15	90269-04003-00	RIVET	1	
16	(134-23484-10-00)	CAP, HANDLE LOCK	1	
17	90206-04003-00	WASHER, WAVE (214-23488-00)	1	
18	341-23408-01-00	STEERING LOCK ASSEMBLY (214-23480-00)	1	
19	90502-08005-00	SPRING, CONICAL (214-23485-00)	1	
20	355-85111-01-00	REFLECTOR, FRONT 1	2	
21	437-83936-11-00	BAND, SWITCH CORD	2	

FENDER



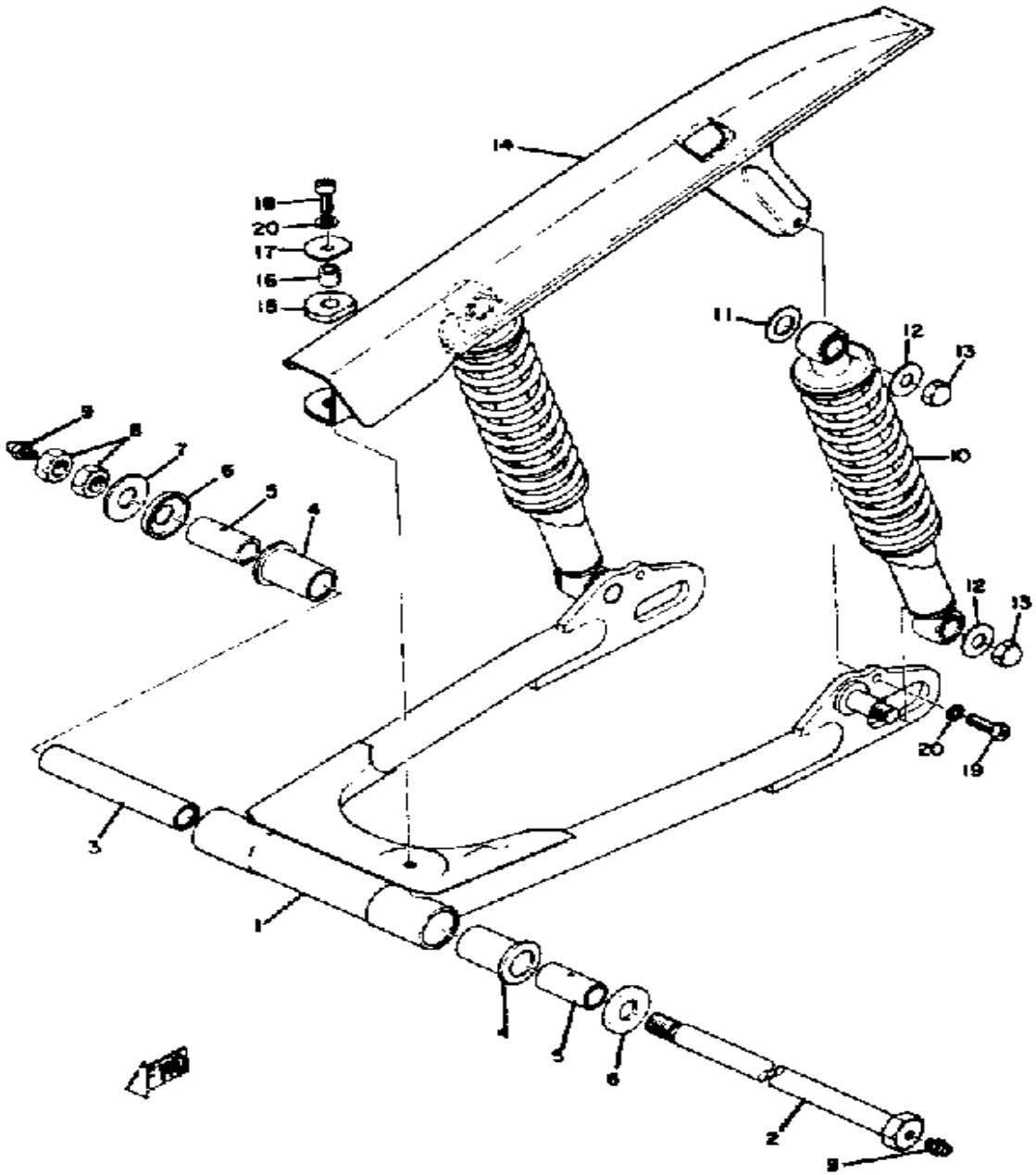
Ref. No.	Part Number	Description	Qty	Remarks
1	(351-21510-00-93)	FENDER, FRONT	1	
2	(351-21513-00-00)	STAY, FENDER 1	4	
3	97013-06012-00	BOLT	8	
4	92995-06100-00	WASHER, SPRING	12	
5	97313-06016-00	BOLT, HEXAGON	4	
6	92990-06200-00	WASHER	4	
7	97313-08018-00	BOLT, HEXAGON (97301-08016)	4	
8	92990-08100-00	WASHER	4	
9	92990-08200-00	WASHER, PLAIN	4	
10	(174-21518-00-00)	HOLDER, CABLE	1	
11	95380-06600-00	NUT	1	
12	92995-06100-00	WASHER, SPRING	1	
13	(351-21610-00-93)	FENDER, REAR	1	
14	97023-10035-00	BOLT, HEXAGON	2	
15	92990-10100-00	LOCKWASHER	2	
16	92990-10200-00	WASHER, PLAIN	2	
17	168-21639-00-00	DAMPER 2	2	
18	90201-15239-00	WASHER, PLATE	2	
19	90179-10123-00	NUT, SPEC'L SHAPE	2	
20	97011-06020-00	BOLT	2	
21	90201-06067-00	WASHER, PLATE	2	
22	90480-14023-00	GROMMET	2	
23	90387-07390-00	COLLAR	2	
24	¢21-42126-80-00	UNAVAILABLE IN PRICE BOOK	1	
25	¢27-82133-60-00	UNAVAILABLE IN PRICE BOOK	1	
26	90480-12013-00	GROMMET	2	
27	170-21746-00-00	DAMPER	1	

SIDE COVER - TOOL BOX - BATTERY BOX



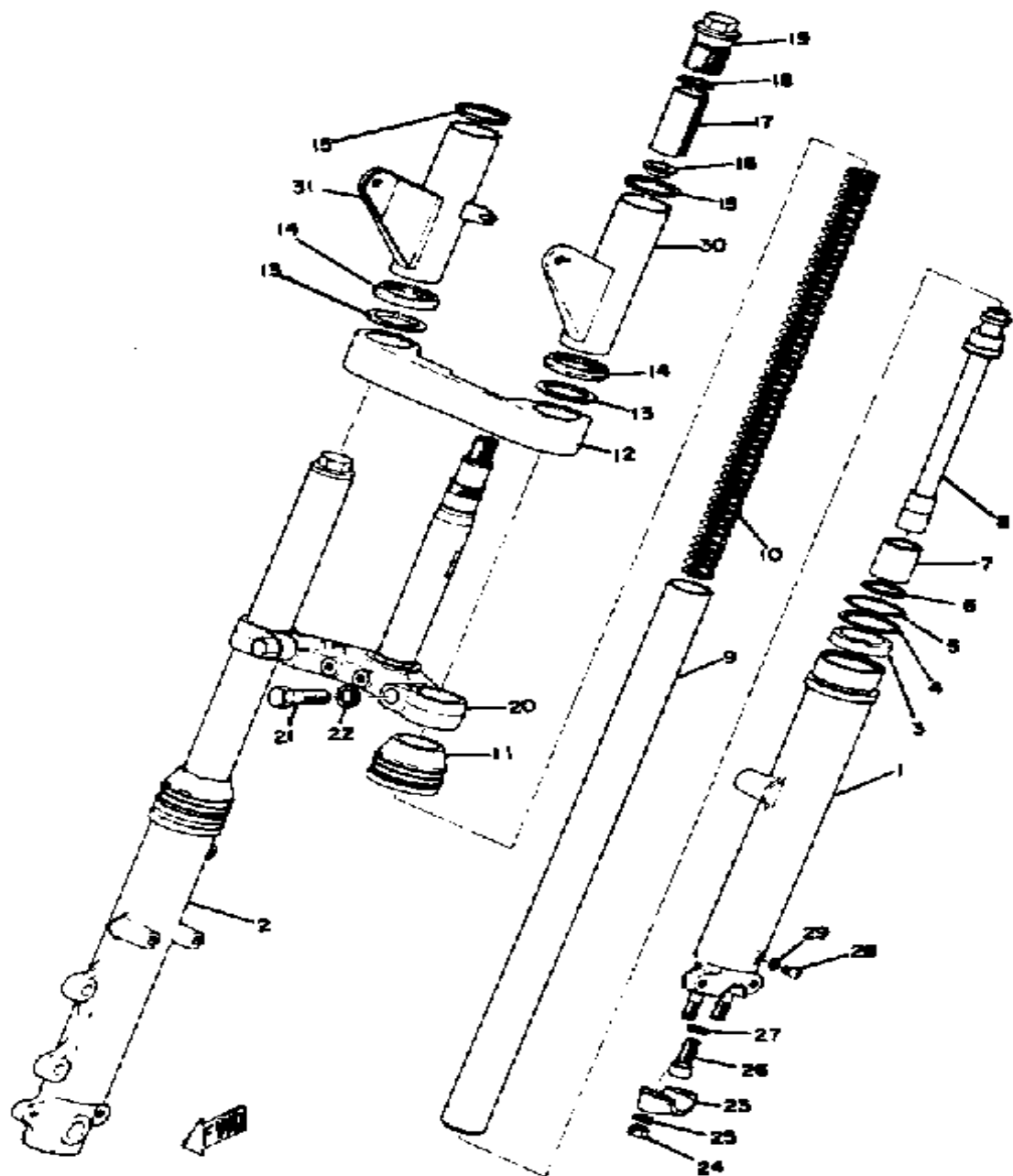
Ref. No.	Part Number	Description	Qty	Remarks
1	(360-21721-00-63)	COVER, SIDE 2	1	BRANDY RED
	360-21721-00-U2	COVER, SIDE 2 (360-21721-00-N7)	1	PORTUGESE ORANGE
	¢36-02172-10-0A	UNAVAILABLE IN PRICE BOOK	1	RUBY RED
2	90109-06005-00	BOLT	1	
	98580-06020-00	SCREW	1	
3	90201-06067-00	WASHER, PLATE	1	
	92990-08200-00	WASHER, PLAIN	1	
4	(360-21782-00-00)	MOLD 2	1	
5	(360-21783-01-00)	EMBLEM 3	1	
	(360-21786-00-00)	EMBLEM 6	1	
	¢36-02178-32-00	UNAVAILABLE IN PRICE BOOK	1	
6	360-21787-00-00	EMBLEM 7	1	
7	360-21717-01-00	DAMPER	2	
8	¢27-82124-00-03	UNAVAILABLE IN PRICE BOOK	1	
9	141-21717-00-00	DAMPER	4	
10	98580-06020-00	SCREW	3	
11	92995-06100-00	WASHER, SPRING	2	
12	90201-06067-00	WASHER, PLATE	2	
13	90480-14023-00	GROMMET	2	
14	90387-07390-00	COLLAR	2	
15	(278-21170-00-33)	BOX, TOOL	1	YAMAHA BLK
16	(278-21746-00-00)	DAMPER	2	
17	¢19-02344-50-00	UNAVAILABLE IN PRICE BOOK	1	
18	1KT-W2810-00-00	TOOL KIT	1	
19	90201-083A0-00	WASHER, PLATE	2	

SWING ARM - REAR SHOCKS - CHAIN CA



Ref. No.	Part Number	Description	Qty	Remarks
1	ø27-82211-00-03	UNAVAILABLE IN PRICE BOOK	1	
2	156-22141-00-00	SHAFT, PIVOT	1	
3	90387-16128-00	COLLAR (150-22126-00)	1	
4	90386-22018-00	BUSH, SPEC'L NYLON (148-22123-00)	2	
5	90387-16226-00	COLLAR (150-22124-00)	2	
6	1A0-22128-00-00	COVER, THRUST 1	2	
7	240-22127-00-00	SHIM	1	
8	90170-14147-00	NUT, HEXAGON	2	
9	93700-06M03-00	NIPPLE, GREASE	2	
10	ø27-82221-02-20	UNAVAILABLE IN PRICE BOOK	2	
11	90201-14218-00	WASHER, PLATE	2	
12	90201-10437-00	WASHER, PLATE	4	
13	90176-10013-00	NUT, CROWN	4	
	95303-10800-00	NUT (CROWN) (92803-10700)	4	
14	(360-22311-00-93)	CASE, CHAIN	1	
15	278-22332-00-00	DAMPER, CHAIN CASE	1	
16	90387-062N2-00	COLLAR	1	
17	90209-06034-00	WASHER, SPEC'L SHAP	1	
18	98580-06020-00	SCREW	1	
19	98580-06018-00	SCREW, PAN HEAD	1	
20	92995-06100-00	WASHER, SPRING	2	

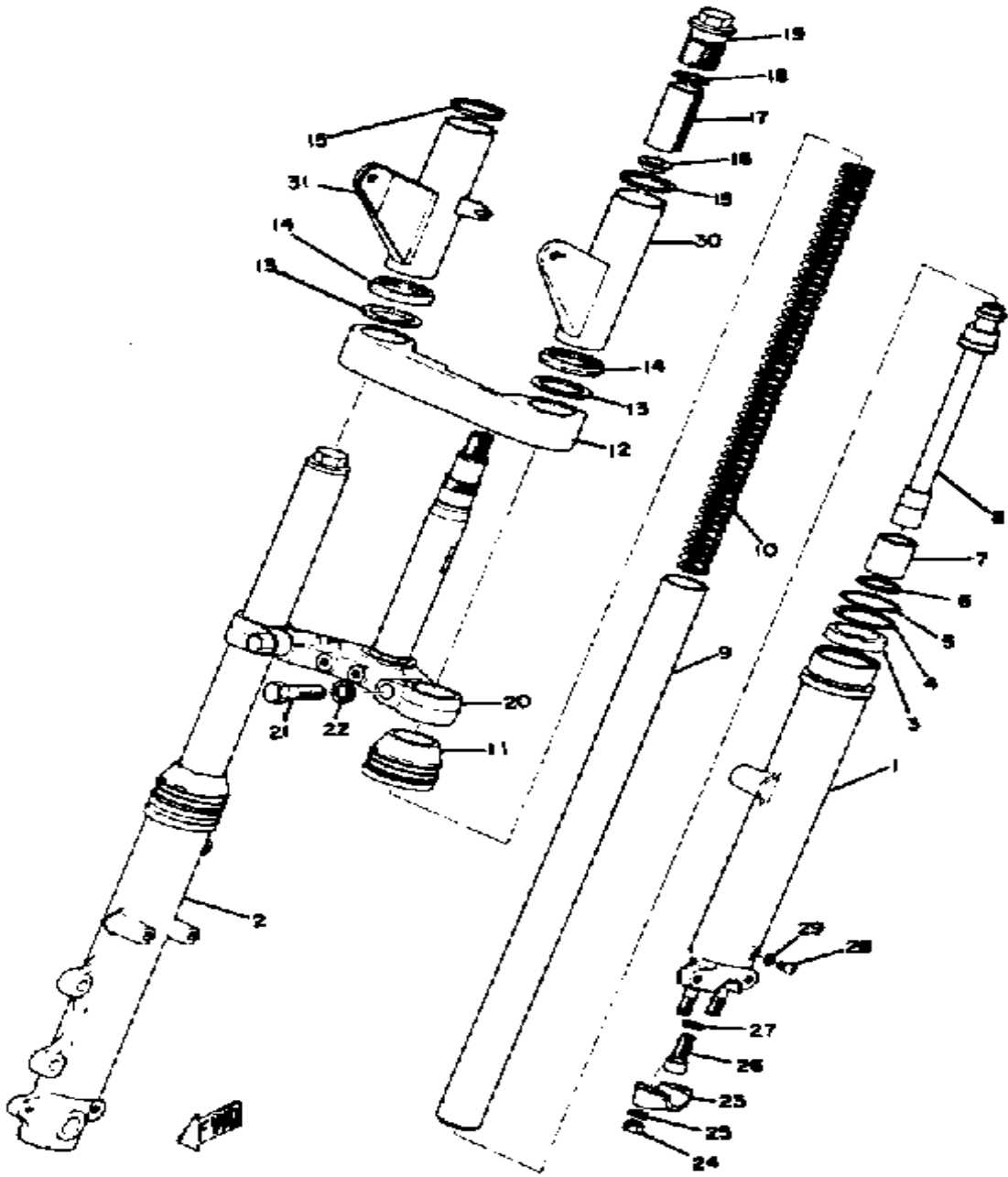
FRONT FORK



Ref. No.	Part Number	Description	Qty	Remarks
1	¢35-12312-65-00	. UNAVAILABLE IN PRICE BOOK	1	
	¢36-02310-15-00	UNAVAILABLE IN PRICE BOOK	1	
2	¢35-12313-65-00	. UNAVAILABLE IN PRICE BOOK	1	
3	278-23145-51-00	.. OIL SEAL	2	
4	214-23146-00-00	.. WASHER, OIL SEAL	2	
5	214-23156-00-00	.. CLIP, OIL SEAL	2	
6	93450-30033-00	. CIRCLIP, INNER	2	
7	(278-23171-50-00)	. PISTON, FRONT FORK	2	
8	(278-23170-50-00)	. CYLINDER, FRTFRK	2	
9	(351-23124-50-00)	. TUBE, INNER 1	2	
10	(278-23141-50-00)	. SPRING, FRONT FORK	2	
11	278-23144-50-00	. SEAL, DUST	2	
12	¢36-02312-25-10	. UNAVAILABLE IN PRICE BOOK	1	
13	291-23163-61-00	. GASKET (LAMP STAY)	2	
14	447-23116-52-00	. GUIDE, COVER LOWER	2	
15	¢2R-82311-50-00	. UNAVAILABLE IN PRICE BOOK	2	
16	278-23142-50-00	. SEAT, SPRING UPPER	2	
17	(291-23118-60-00)	. SPACER	2	
18	214-23114-00-00	. GASKET	2	
19	(291-23111-60-00)	. BOLT, CAP	2	
20	(360-23340-30-33)	. UNDER BRACKET	1	
21	306-23346-60-00	. BOLT 1	2	
22	92901-12100-00	. WASHER, SPRING	2	
23	(306-23167-60-00)	. HOLDER, AXLE	1	
24	95333-08600-00	. NUT, HEXAGON	2	
25	92990-08100-00	. WASHER	2	

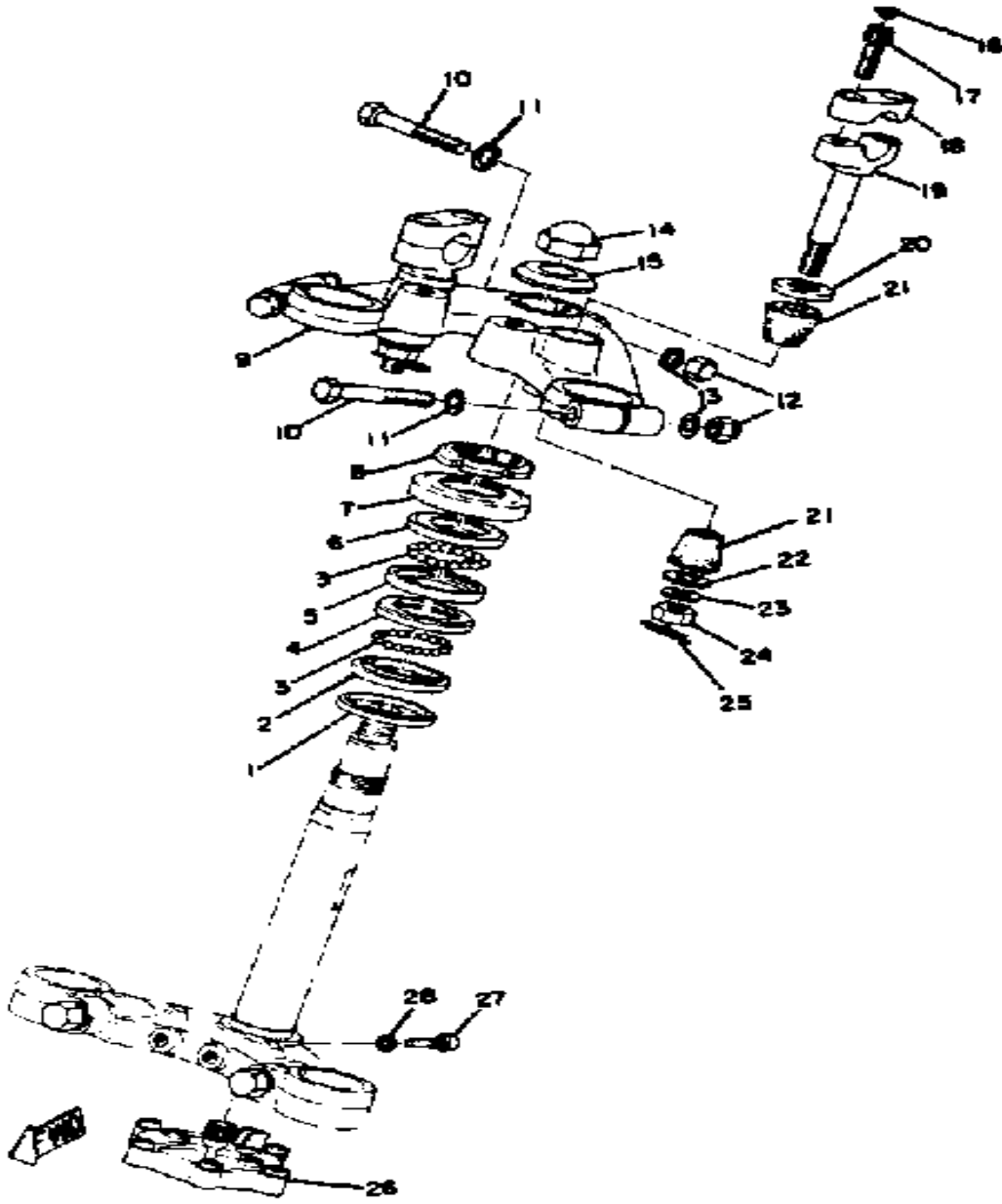
CONTINUED ON NEXT FRAME ►

FRONT FORK



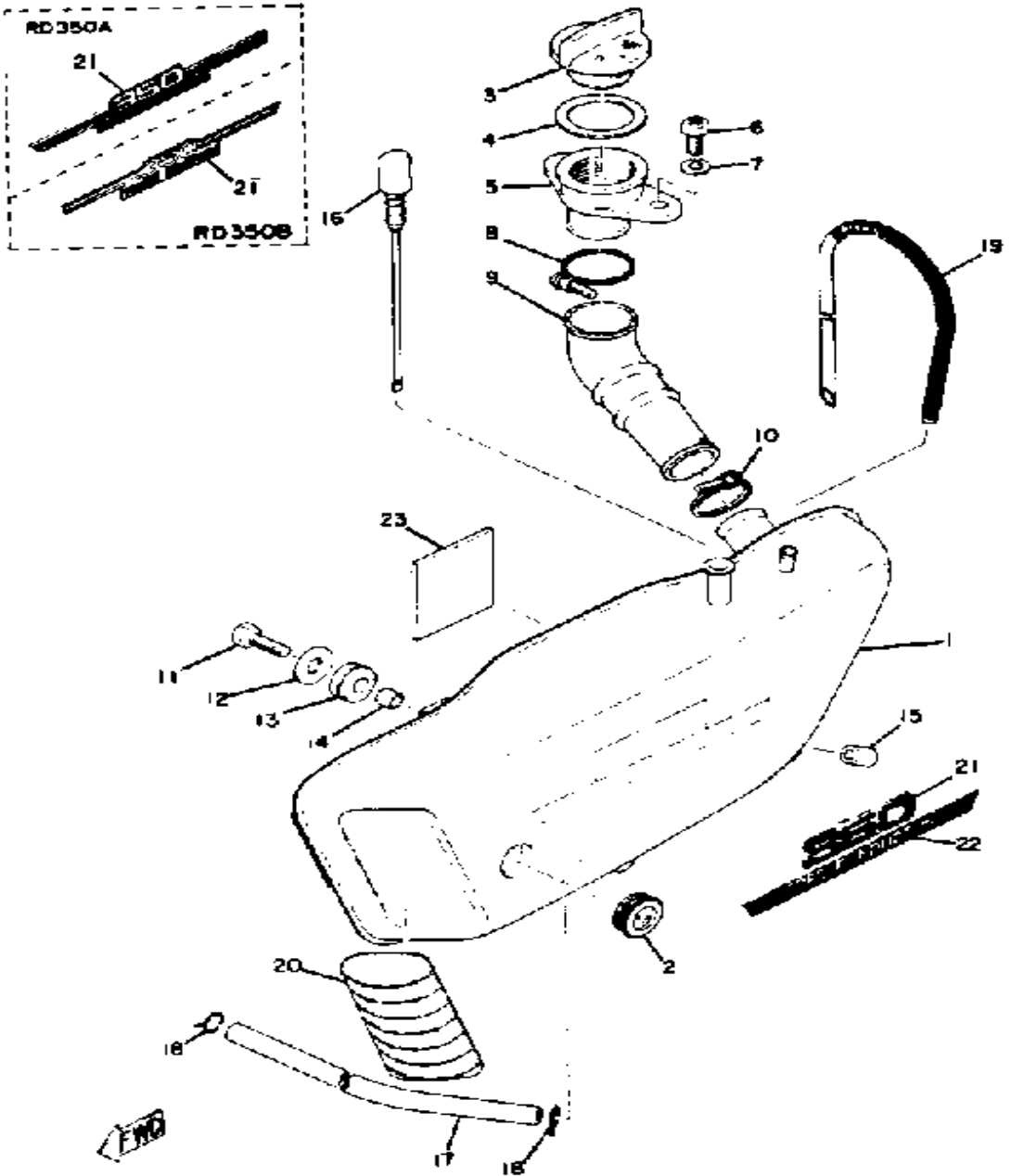
Ref. No.	Part Number	Description	Qty	Remarks
26	278-23181-50-00	. BOLT, HEXAGON SOCKET HEAD	2	
27	509-23158-L0-00	. GASKET	2	
28	98580-04008-00	. SCREW, PAN HEAD	2	
29	122-23129-00-00	. GASKET, DRAIN PLUG	2	
30	(360-23121-50-7J)	COVER, UPPER 1	1	RUBY RED
	(360-23121-50-N7)	COVER, UPPER 1	1	PORTUGESE ORANGE
	360-23121-50-AJ	UNAVAILABLE IN PRICE BOOK	1	BRANDY RED
31	(360-23131-50-63)	COVER, UPPER 2	1	RUBY RED
	(360-23131-50-A2)	COVER, UPPER 2	1	BRANDY RED
	(360-23131-50-N7)	COVER, UPPER 2	1	PORTUGESE ORANGE

STEERING



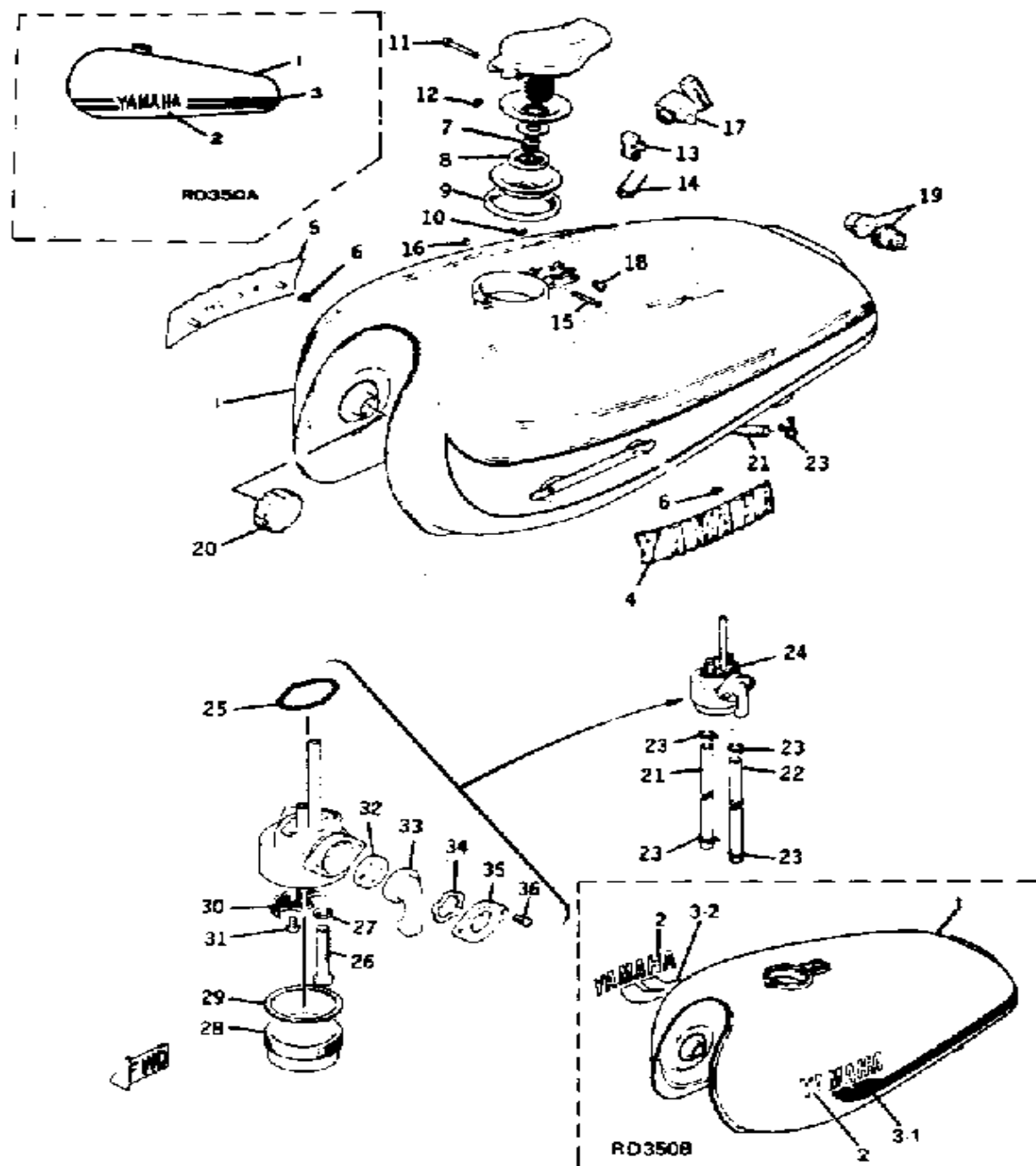
Ref. No.	Part Number	Description	Qty	Remarks
1	164-23462-00-00	SEAL, STEERING	1	
2	156-23411-00-00	RACE, BALL 1	1	
3	93501-04011-00	BALL	38	
4	156-23412-00-00	RACE, BALL 2	1	
5	183-23412-00-00	RACE, BALL 2	1	
6	183-23411-00-00	RACE, BALL 1	1	
7	136-23415-00-00	COVER, BALL RACE 1	1	
8	90179-25033-00	NUT	1	
9	(360-23435-01-98)	CROWN, HANDLE	1	
10	97313-08055-00	BOLT, HEXAGON	3	
11	90201-08083-00	WASHER, PLATE	1	
12	95303-08800-00	NUT (CROWN) (95301-08800)	3	
13	92990-08100-00	WASHER	3	
14	90176-16016-00	NUT, CROWN	1	
15	90209-17057-00	WASHER, SPEC'L SHAP	1	
16	341-23469-00-00	CAP, BOLT	4	
17	91316-08025-00	BOLT, SOCKET HEAD	4	
18	360-23441-01-98	HOLDER, HANDLE UPR	2	
19	256-23442-00-98	HOLDER, HANDLE LWR	2	
20	90209-12102-00	WASHER, SPEC'L SHAP	2	
21	(90385-12020-00)	BUSH, SPEC'L RUBBER	4	
22	90201-14218-00	WASHER, PLATE	2	
23	92990-10100-00	LOCKWASHER	2	
24	95303-10700-00	NUT	2	
25	90468-12006-00	CLIP	2	
26	5G2-23490-00-00	HDLBR SMY DMPR ASSEMBLY	1	
27	(214-23492-00-00)	BOLT	1	
28	92995-06100-00	WASHER, SPRING	1	

OIL TANK



Ref. No.	Part Number	Description	Qty	Remarks
1	(360-21705-00-A8)	OIL TANK ASSEMBLY	1	RUBY RED
	(360-21705-00-N7)	OIL TANK ASSEMBLY	1	PORTUGESE ORANGE
	ø36-02170-50-06	UNAVAILABLE IN PRICE BOOK	1	BRANDY RED
2	360-21761-00-00	. GAUGE, LEVEL	1	
3	214-21771-00-00	BODY, CAP	1	
4	90430-29114-00	GASKET	1	
5	360-21752-00-00	TUBE, FILLER 1	1	
6	98580-06020-00	SCREW	2	
7	92995-06100-00	WASHER, SPRING	2	
8	90460-32182-00	CLAMP, HOSE	1	
9	360-21753-00-00	BOSS, CONNECTOR	1	
10	(90460-26007-00)	CLAMP, HOSE	1	
11	97011-06020-00	BOLT	2	
12	90201-06067-00	WASHER, PLATE	2	
13	90480-14023-00	GROMMET	2	
14	90387-07390-00	COLLAR	2	
15	437-21779-00-00	DAMPER, LOCATING 2	1	
16	1A0-21792-00-00	GAUGE, OIL	1	
17	90445-09122-00	HOSE	1	
18	90467-08003-00	CLIP	2	
19	(278-21745-00-00)	PIPE, OIL TNK BRTHR	1	
20	(360-21781-00-00)	MOLD 1	1	
21	(360-21783-01-00)	EMBLEM 3	1	
	(360-21786-00-00)	EMBLEM 6	1	
	ø36-02178-32-00	UNAVAILABLE IN PRICE BOOK	1	
22	360-21787-00-00	EMBLEM 7	1	
23	ø21-42126-80-00	UNAVAILABLE IN PRICE BOOK	1	

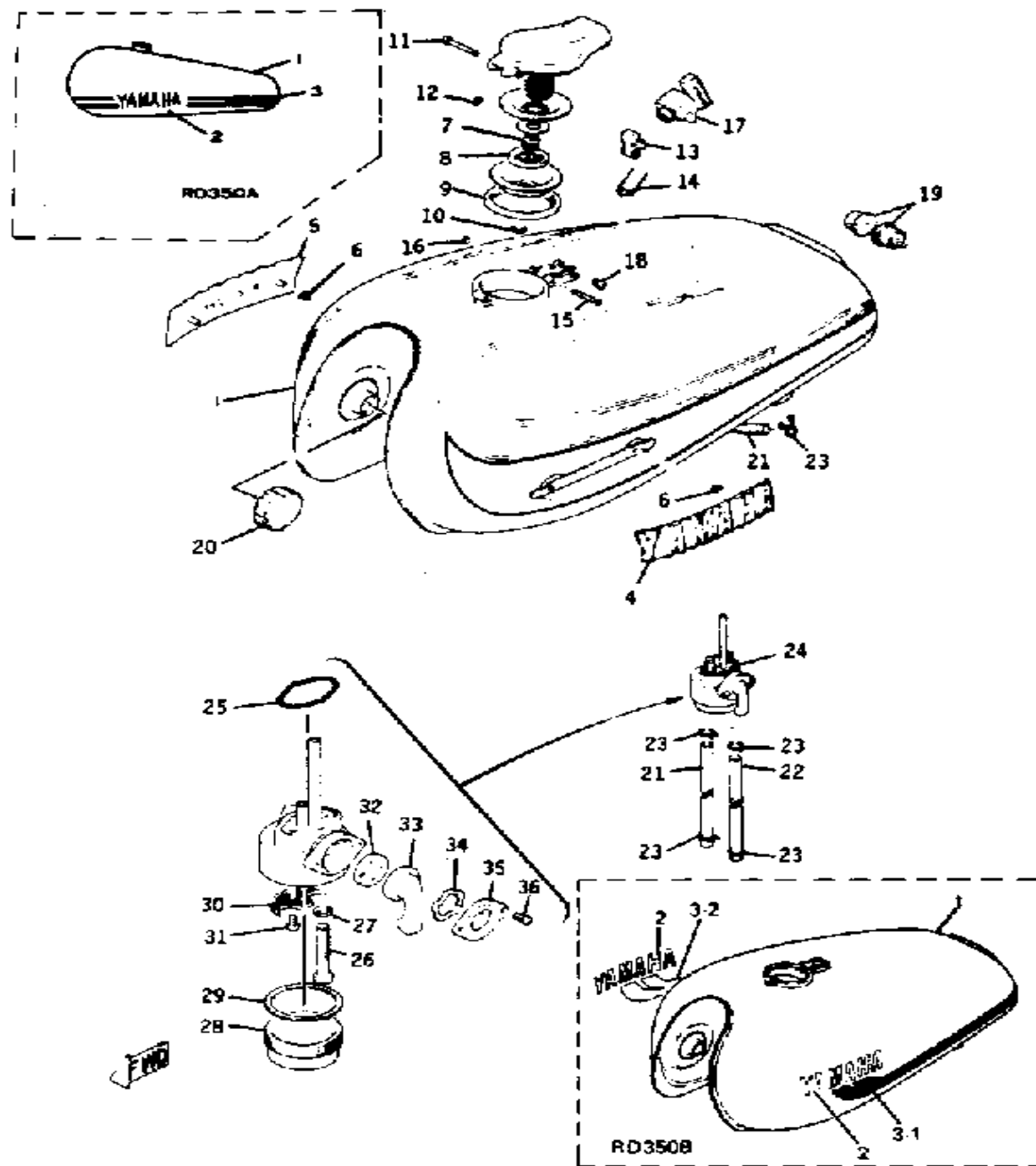
FUEL TANK



Ref. No.	Part Number	Description	Qty	Remarks
1	(360-24110-01-01)	FUEL TANK	1	BRANDY RED
	(360-24110-20-N7)	FUEL TANK	1	PORTUGESE ORANGE
	341-24653-00-00	CAP ASSEMBLY	1	
	¢36-02411-02-00	UNAVAILABLE IN PRICE BOOK	1	RUBY RED
2	322-24161-00-00	. EMBLEM 1	2	
	¢36-02424-40-00	. UNAVAILABLE IN PRICE BOOK FUEL TANK UPPER LEFT	1	
	¢36-02424-50-00	. UNAVAILABLE IN PRICE BOOK FUEL TANK UPPER RIGHT	1	
3	¢36-02424-60-00	. UNAVAILABLE IN PRICE BOOK FUEL TANK UNDER LEFT	1	
	¢36-02424-70-00	. UNAVAILABLE IN PRICE BOOK FUEL TANK UNDER RIGHT	1	
	¢36-02425-80-00	. UNAVAILABLE IN PRICE BOOK	2	
	¢36-12425-63-00	. UNAVAILABLE IN PRICE BOOK	1	
	¢36-12425-73-00	. UNAVAILABLE IN PRICE BOOK	1	
4	360-24161-01-00	EMBLEM 1	1	
5	360-24162-01-00	EMBLEM 2	4	
6	90183-03006-00	NUT, SPRING	4	
7	(308-24642-00-00)	. GASKET, CAP 2	1	
8	(308-24641-00-00)	. GASKET, CAP 1	1	
9	341-24612-01-00	. GASKET, CAP	1	
10	99009-06600-00	CIRCLIP	1	
11	90249-03087-00	PIN, SPEC'L SHAPE (308-24623-00)	1	

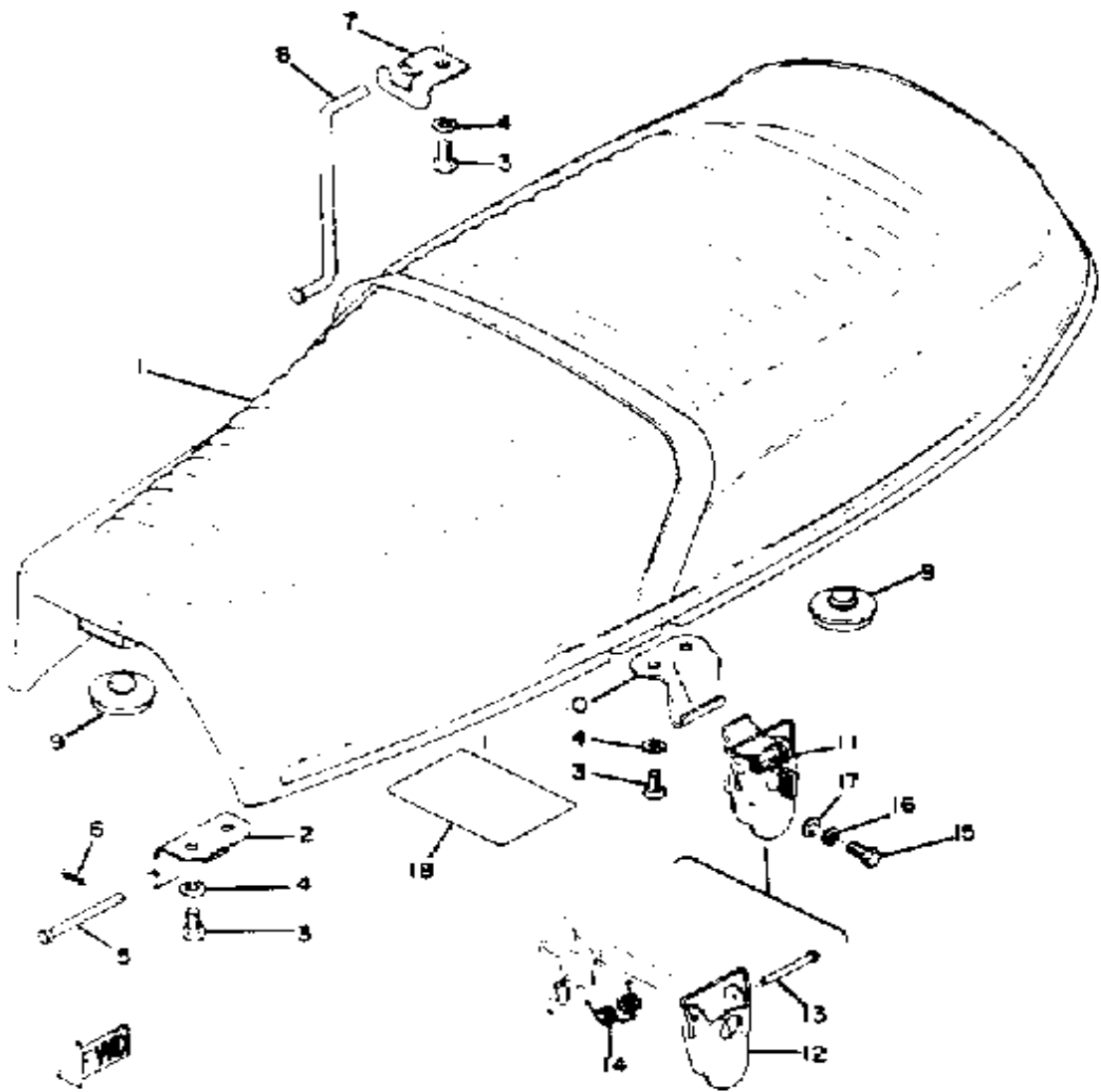
CONTINUED ON NEXT FRAME ➤

FUEL TANK



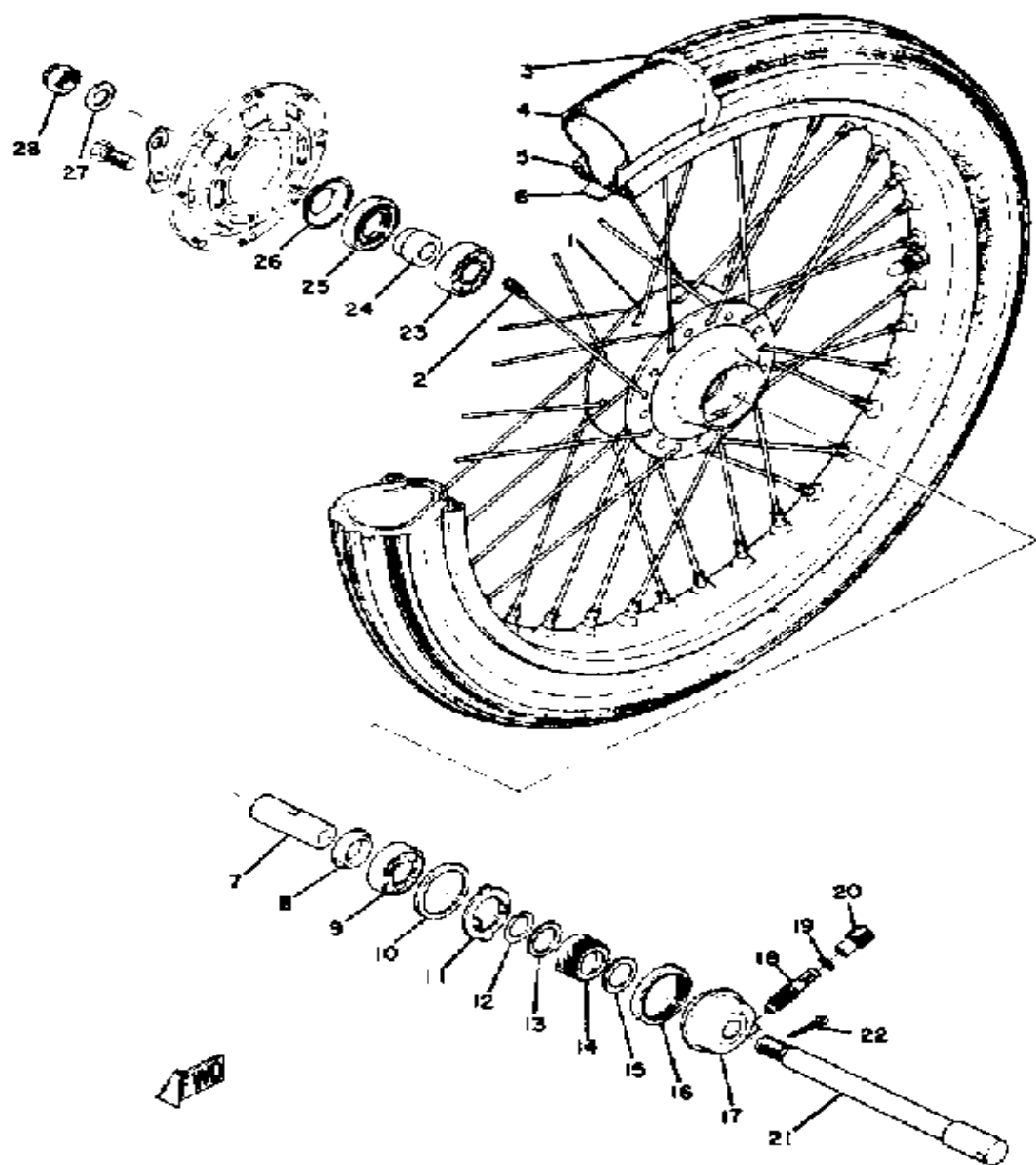
Ref. No.	Part Number	Description	Qty	Remarks
12	93430-02001-00	CIRCLIP	1	
13	341-24628-00-00	HOOK	1	
14	90508-07235-00	SPRING, TORSION	1	
15	90249-03088-00	PIN, SPEC'L SHAPE (308-24624-00)	1	
16	93430-02001-00	CIRCLIP	1	
17	341-24602-01-00	CAP ASSEMBLY	1	
18	(92503-04020-00)	SCREW, PAN HEAD	1	
19	122-24182-01-00	DAMPER, LOCATING 2	2	
20	278-24181-00-00	DAMPER, LOCATING 1	2	
21	90445-09094-00	HOSE (90445-09221-00)	2	
22	90445-09089-00	HOSE	1	
23	90467-08003-00	CLIP	6	
24	360-24500-00-00	FUEL COCK ASSEMBLY 1 ...	1	
25	168-24512-00-00	. GASKET	1	
26	98580-06035-00	SCREW, PAN HEAD	2	
27	90430-06013-00	. GASKET (137-24513-00)	2	
28	360-24521-00-00	. CUP, FILTER	1	
29	168-24522-00-00	. GASKET	1	
30	168-24515-00-00	. NET, FILTER 2	1	
31	98580-03008-00	. SCREW, PAN HEAD	1	
32	137-24523-00-00	. GASKET	1	
33	168-24524-00-00	. LEVER, COCK	1	
34	132-24518-00-00	. WASHER, WAVE	1	
35	(132-24525-01-00)	. PLATE, LVR FITTING	1	
36	98580-03008-00	. SCREW, PAN HEAD	2	

SEAT



Ref. No.	Part Number	Description	Qty	Remarks
1	360-24730-06-00	DOUBLE SEAT ASSEMBLY ...	1	
	360-24731-03-00	. COVER, DOUBLE SEAT 0 1 ..	1	
2	248-24726-00-33	HINGE, SEAT	2	YAMAHA BLK
3	97013-06012-00	BOLT	7	
4	92995-06100-00	WASHER, SPRING	7	
5	91701-05055-00	PIN, CLEVIS	2	
6	90468-10050-00	CLIP	2	
7	¢27-82474-80-00	UNAVAILABLE IN PRICE BOOK	1	
8	(278-24768-00-00)	STOPPER	1	
9	1L9-24741-00-00	PAD, SEAT	4	
10	278-24728-00-00	BRACKET, SEAT	1	
11	526-24705-00-00	SEAT LOCK ASSEMBLY	1	
12	¢35-32477-60-03	. UNAVAILABLE IN PRICE BOOK	1	YAMAHA BLK
13	¢35-32472-70-00	. UNAVAILABLE IN PRICE BOOK	1	
14	(353-24758-00-00)	SPRING	1	
15	97011-06010-00	BOLT	1	
16	92995-06100-00	WASHER, SPRING	1	
17	92990-06200-00	WASHER	1	
18	UNA-VAILA-BL-EI	0 0	111	
	¢36-02470-00-00	UNAVAILABLE IN PRICE BOOK	1	

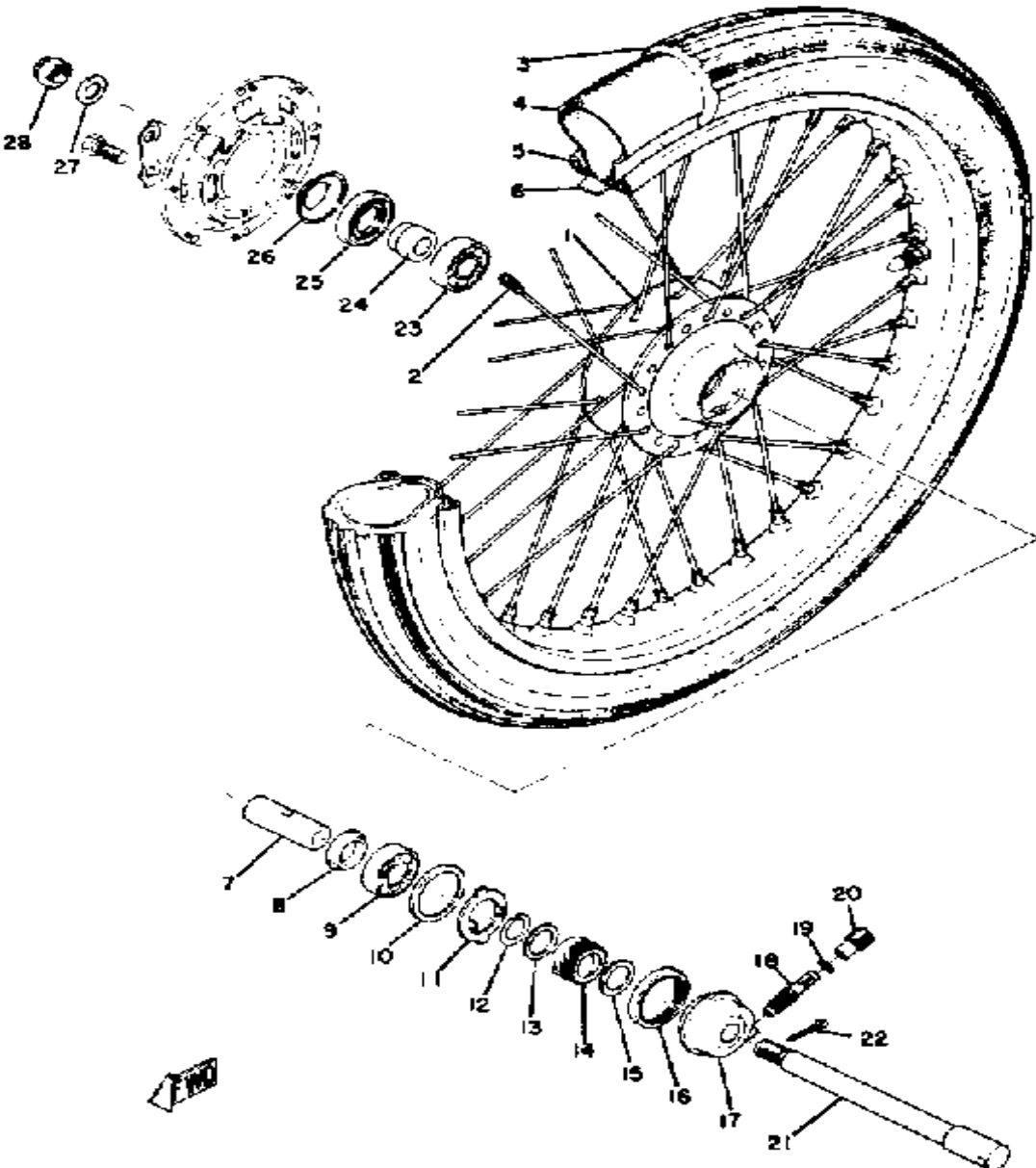
FRONT WHEEL



Ref. No.	Part Number	Description	Qty	Remarks
1	ϕ35-12511-10-00	UNAVAILABLE IN PRICE BOOK	1	
2	351-25104-00-00	SPOKE SET, FRONT	1	
	ϕ35-12519-69-00	UNAVAILABLE IN PRICE BOOK	1	
	ϕ35-12519-79-00	UNAVAILABLE IN PRICE BOOK	1	
3	ϕ94-13018-36-30	UNAVAILABLE IN PRICE BOOK	1	
4	94230-18084-00	TUBE	1	
5	(94416-18068-00)	RIM 1.60X 8	1	
6	94325-18043-00	BAND, RIM	1	
7	90560-17125-00	SPACER	1	
8	146-25315-00-00	FLANGE, SPACER	1	
9	93306-30309-00	BEARING	1	
10	341-25846-00-00	RETAINER, CLUTCH	1	
11	341-25149-00-00	CLUTCH, METER	1	
12	341-25137-00-00	RING, STOP	1	
13	90201-25286-00	WASHER, PLATE (341-25147-00)	1	
14	ϕ35-12513-50-00	UNAVAILABLE IN PRICE BOOK	1	
15	90201-25490-00	WASHER, PLATE	1	
16	93105-45017-00	OIL SEAL	1	
17	341-25190-01-00	GEAR UNIT ASSEMBLY	1	
18	351-25138-00-00	GEAR, METER	1	
19	102-18416-00-00	SHIM, ROD	1	
20	306-25136-00-00	BUSH	1	
21	351-25181-10-00	AXLE, WHEEL	1	
22	91401-30030-00	PIN, COTTER	1	
23	93306-30302-00	BEARING	1	
24	90387-17433-00	COLLAR	1	
25	93102-28022-00	OIL SEAL	1	
26	341-25118-00-00	COVER, hub dust	1	

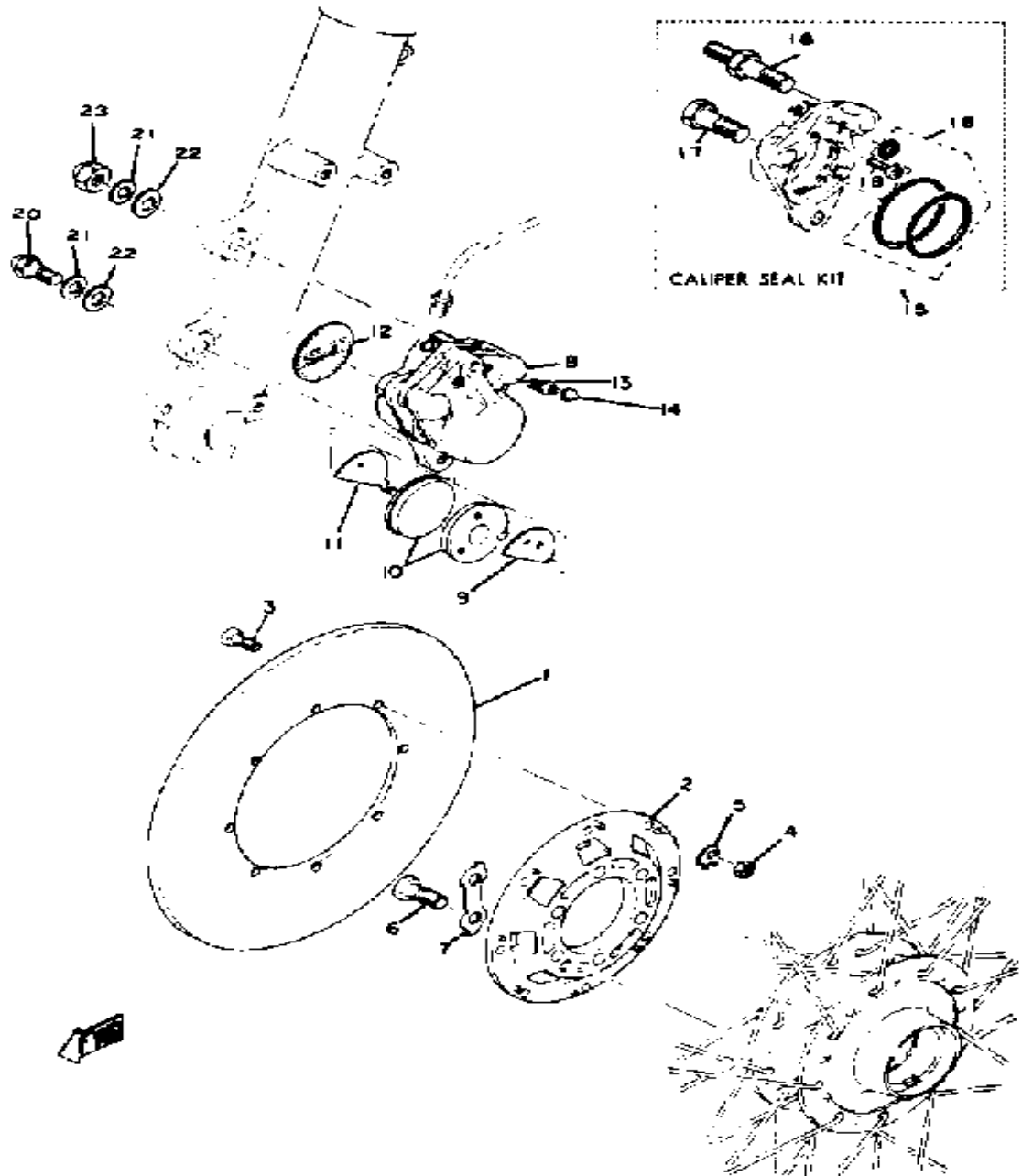
CONTINUED ON NEXT FRAME ►

FRONT WHEEL



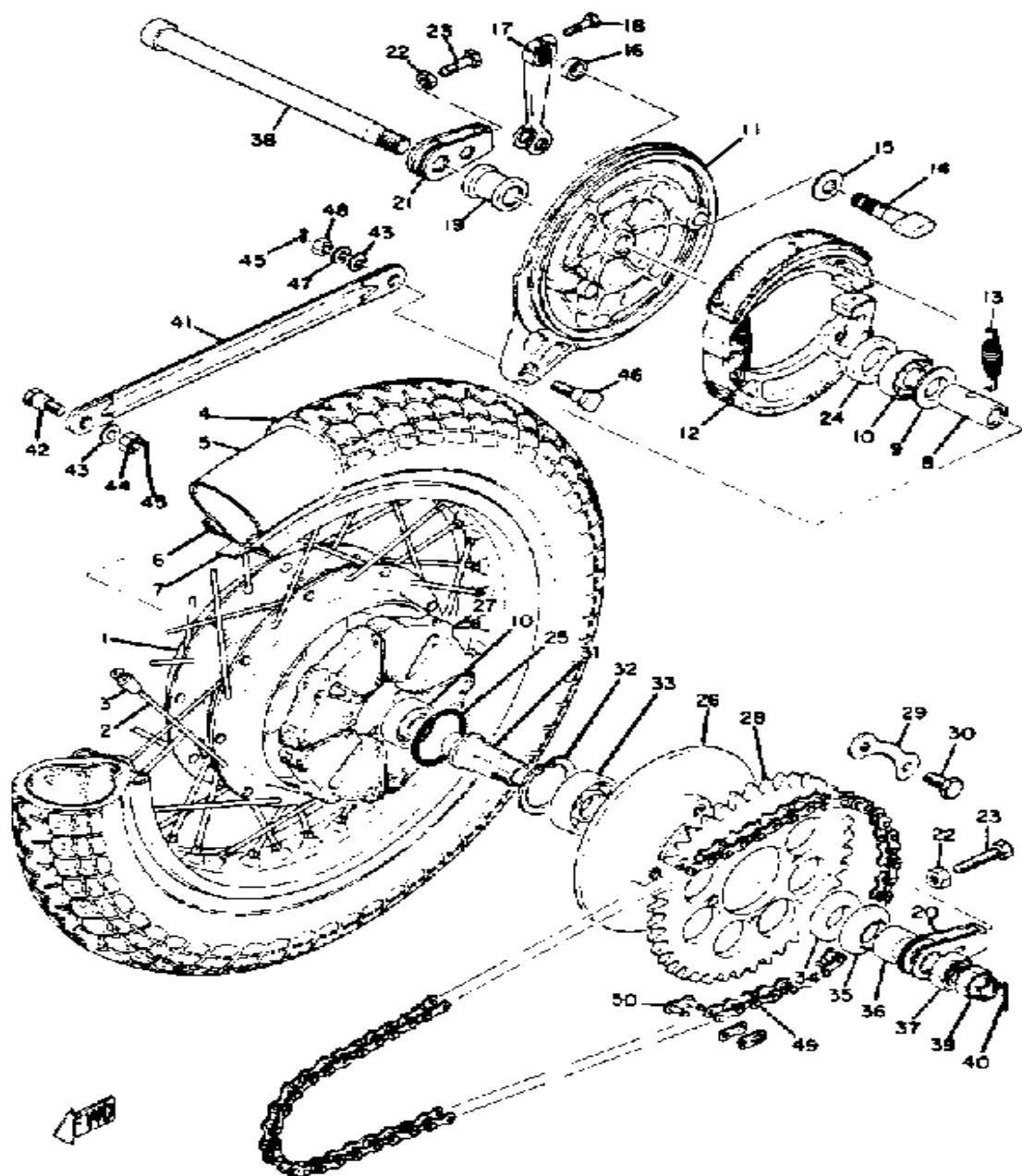
Ref. No.	Part Number	Description	Qty	Remarks
27	92990-14200-00	WASHER, PLAIN	1	
28	90171-14020-00	NUT, CASTLE	1	

DISC BRAKE - CALIPER



Ref. No.	Part Number	Description	Qty	Remarks
1	(351-25831-01-00)	DISC, BRAKE	1	
2	ø35-12583-20-00	UNAVAILABLE IN PRICE BOOK	1	
3	90109-06018-00	BOLT	8	
4	95380-06600-00	NUT	8	
5	90215-06106-00	WASHER, LOCK (306-25834-00)	8	
6	90109-08367-00	BOLT (341-25411-00)	6	
7	341-25412-00-00	WASHER	3	
8	306-25810-0A-00	CALIPER ASSEMBLY (306-25810-09)	1	
9	306-25827-04-00	. SHIM, CALIPER (306-25827-02)	1	
10	1A1-W0045-00-00	. BRAKE PAD KIT, FRNT	2	
11	306-25828-04-00	. SHIM, CALIPER	1	
	409-25828-50-00	. SHIM, CALIPER (306-25828-02)	1	
12	306-25829-00-00	. EMBLEM, CALIPER	1	
13	306-25824-00-00	. SCREW, BLEED	1	
14	306-25825-01-00	. CAP	1	
15	306-20000-51-00	. CALIPER SEAL KIT	1	
16	856-W0047-00-00	.. CALIPER SEAL KIT (856-20000-50)	1	
17	306-25821-01-00	. BOLT 1	1	920~(350)
18	306-25822-01-00	. BOLT 2	1	920~(350)
19	306-25826-01-00	. BOLT 3	2	
20	(90109-10041-00)	BOLT	1	
21	92990-10100-00	LOCKWASHER	2	
22	92990-10200-00	WASHER, PLAIN	2	
23	90176-10013-00	NUT, CROWN	1	
	95303-10800-00	NUT (CROWN) (92803-10700) .	1	

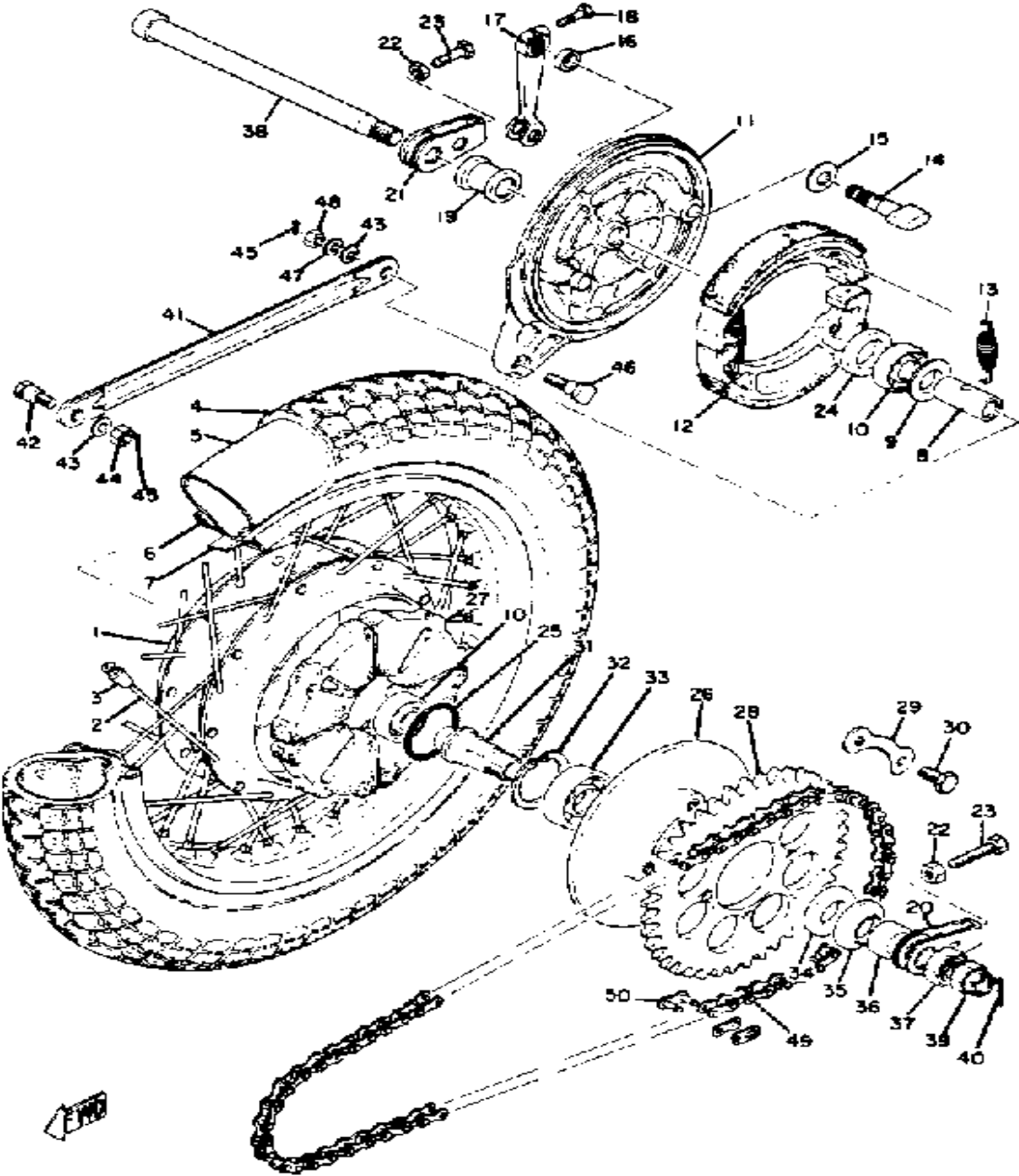
REAR WHEEL



Ref. No.	Part Number	Description	Qty	Remarks
1	ø27-82531-10-00	UNAVAILABLE IN PRICE BOOK	1	
2	278-25304-00-00	SPOKE SET, REAR	1	
	ø27-82539-69-00	UNAVAILABLE IN PRICE BOOK	1	
	ø27-82539-79-00	UNAVAILABLE IN PRICE BOOK	1	
3	156-25398-00-00	BALANCER, WHEEL	1	
4	ø94-13518-30-60	UNAVAILABLE IN PRICE BOOK	1	
5	94235-18085-00	TUBE	1	
6	94418-18026-00	RIM 1.85X 8	1	
7	94325-18043-00	BAND, RIM	1	
8	ø90-56017-14-00	UNAVAILABLE IN PRICE BOOK	1	
9	146-25315-00-00	FLANGE, SPACER	1	
10	93306-30309-00	BEARING	2	
11	(360-25026-10-38)	BRAKE SHOE PLT ASSEMBLY	1	
12	4L0-W2536-00-00	BRAKESHOE SET-2PCS	2	
13	90507-20002-00	SPRING, TENSION	2	
14	4L0-25351-00-00	CAMSHAFT	1	
15	148-25353-00-00	SHIM, CAMSHAFT	1	
16	148-25359-00-00	SEAL, CAMSHAFT	1	
17	214-25355-00-00	LEVER, CAMSHAFT	1	
18	97011-06025-00	BOLT (97001-06025)	1	
19	148-25383-00-00	COLLAR, WHEEL	1	
20	(1A1-25389-00-00)	PULLER, CHAIN 2	1	
21	168-25389-00-00	PULLER, CHAIN 2	1	
22	90170-08158-00	NUT	2	
	95303-08700-00	NUT	2	
23	90101-08699-00	BOLT	2	
24	93104-25008-00	OIL SEAL, SO-TYPE	1	
25	93210-55051-00	O-RING (3-54.5)	1	
26	ø16-82536-60-00	UNAVAILABLE IN PRICE BOOK	1	

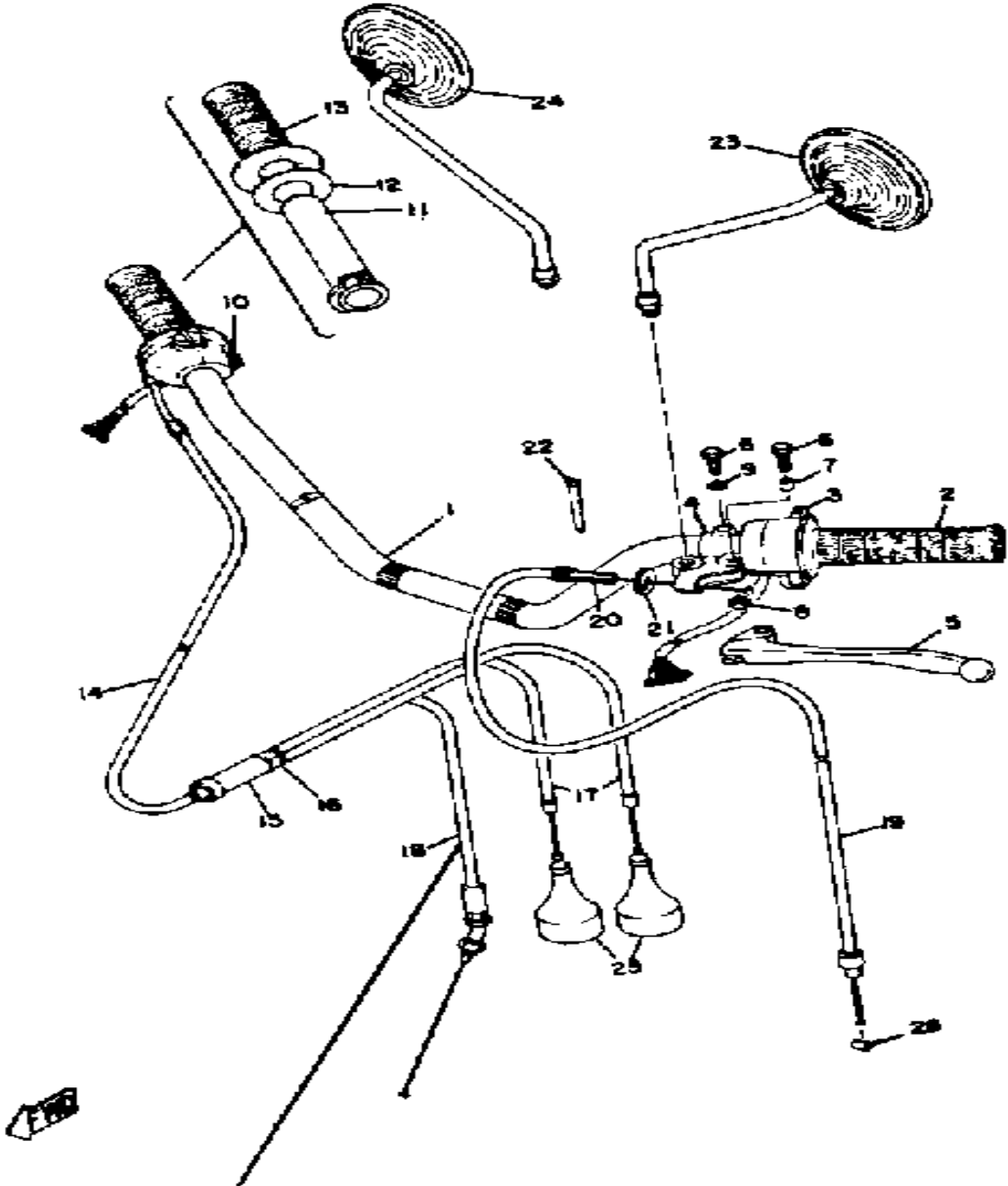
CONTINUED ON NEXT FRAME ►

REAR WHEEL



Ref. No.	Part Number	Description	Qty	Remarks
27	278-25364-00-00	DAMPER	4	
28	360-25440-20-00	SPROCKET, DRIVN 40T	1	
29	148-25412-00-00	WASHER	2	
30	90105-10007-00	BOLT, WASHER BASED	4	
31	152-25387-00-00	AXLE, SPROCKET	1	
32	99009-52500-00	CIRCLIP	1	
33	93306-20503-00	BEARING (B6205Z SPECIAL)	1	
34	93102-32037-00	OIL SEAL, SD-TYPE	1	
35	(168-25367-00-00)	COVER, HUB DUST	1	
36	90387-23441-00	COLLAR	1	
37	90170-22097-00	NUT, HEXAGON	1	
38	150-25381-00-00	AXLE, WHEEL	1	
39	90171-16007-00	NUT, CASTLE (275-25382-00)	1	
40	91401-30030-00	PIN, COTTER	1	
41	(168-25371-00-00)	BAR, TENSION	1	
42	90109-08375-00	BOLT (168-25373-00)	1	
43	92990-08200-00	WASHER, PLAIN	2	
44	90179-08639-00	NUT, SPEC'L SHAPE (30)	1	
	95333-08600-00	NUT, HEXAGON	1	
45	91490-20020-00	PIN, COTTER	2	
46	90109-08184-00	BOLT (168-25378-00)	1	
47	92990-08100-00	WASHER	1	
48	90170-08158-00	NUT	1	
	95303-08700-00	NUT	1	
49	94580-10092-00	50 DS DID 92L (94585-30092)	1	
50	94685-30011-00	. JOINT CHAIN	1	

HANDLEBAR - CABLE



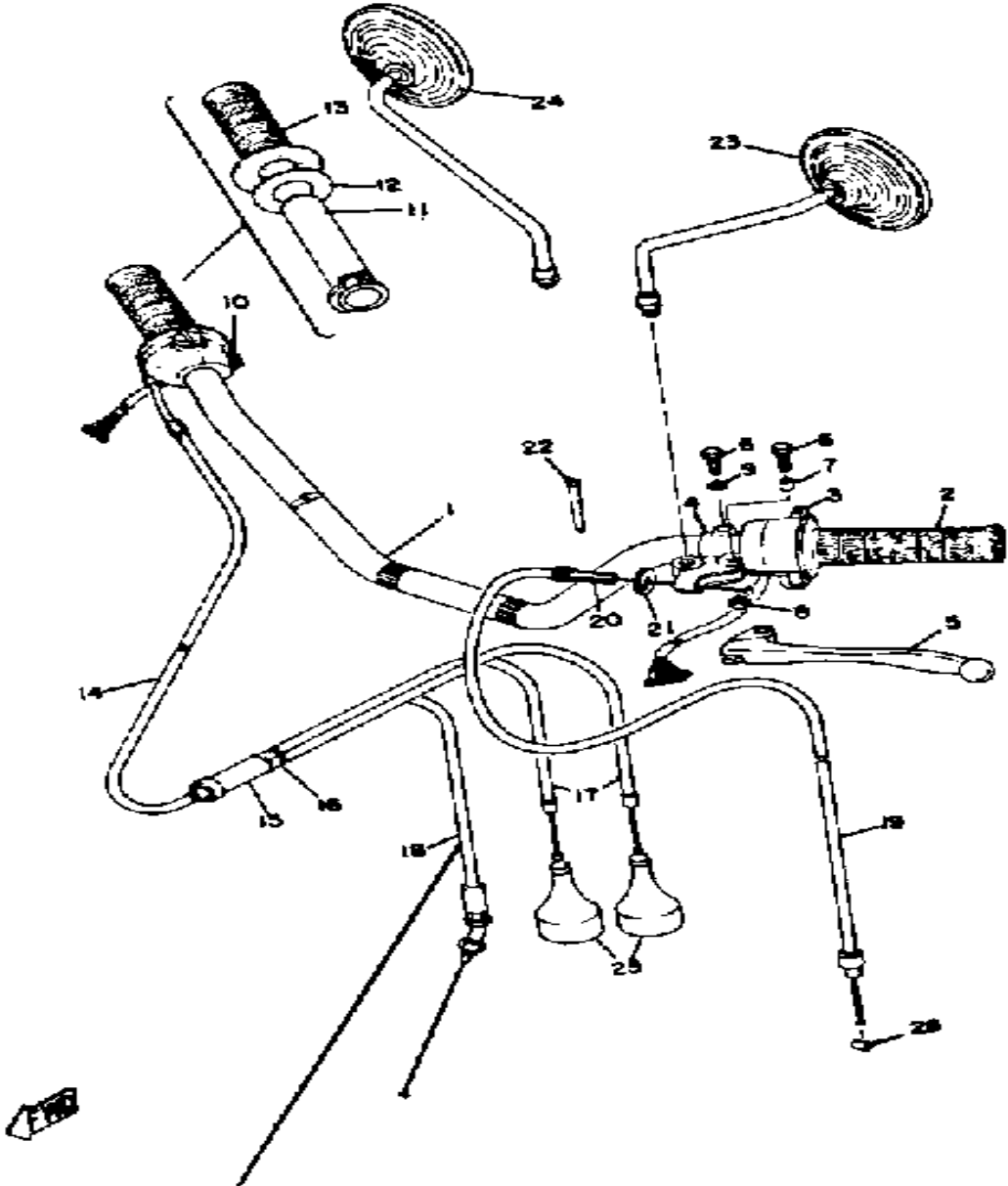
IMPORTANT For Old Style Pump:
 See Tech. Bulletin
 #M8-015C

Ref. No.	Part Number	Description	Qty	Remarks
1	2L0-26111-00-00	HANDLEBAR	1	
	360-82910-02-00	LEVER HOLDER ASSEMBLY 1 (360-82910-00)	1	
2	341-26241-00-00	GRIP LH	1	
3	360-83973-01-00	SWITCH, HANDLE 3	1	
	360-83973-02-00	SWITCH, HANDLE 3	1	
4	341-82911-00-00	. HOLDER, LEVER 1	1	
5	214-83912-00-00	. LEVER 1	1	
6	97023-06020-00	. BOLT (3XF)	2	
7	214-83913-00-00	. COLLAR, LEVER 1	1	
8	95380-06700-00	. NUT	1	
9	92995-06100-00	. WASHER, SPRING	1	
10	360-83975-03-00	SWITCH, HANDLE 2	1	
11	214-26243-00-00	TUBE, THRTL GUIDE	1	
12	90201-261L0-00	WASHER, PLATE	1	
13	(306-26242-10-00)	GRIP RH	1	
14	360-26311-01-00	CABLE, THROTTLE 1 0 1	1	870~
15	360-26261-01-00	CONNECTOR, CABLE	1	870~
	360-26261-01-00	CONNECTOR, CABLE	1	870~
16	360-26262-00-00	CAP, CBLE CONNECTOR 0 0	1	870~
17	360-26312-00-00	CABLE, THROTTLE 2	2	
	360-26312-01-00	CABLE, THROTTLE 2	2	
18	360-26321-00-00	CABLE, PUMPPUMP FOR OLD STYLE PUMP	1	SEE TECH. BULL. #M8-015C
19	360-26335-00-00	CABLE, CLUTCH	1	
20	90123-08046-00	BOLT	1	
21	90179-08148-00	NUT	1	
22	437-83936-01-00	BAND, SWITCH CORD	1	
23	341-26290-10-00	MIRROR ASSEMBLY LH	1	

CONTINUED ON NEXT FRAME ►

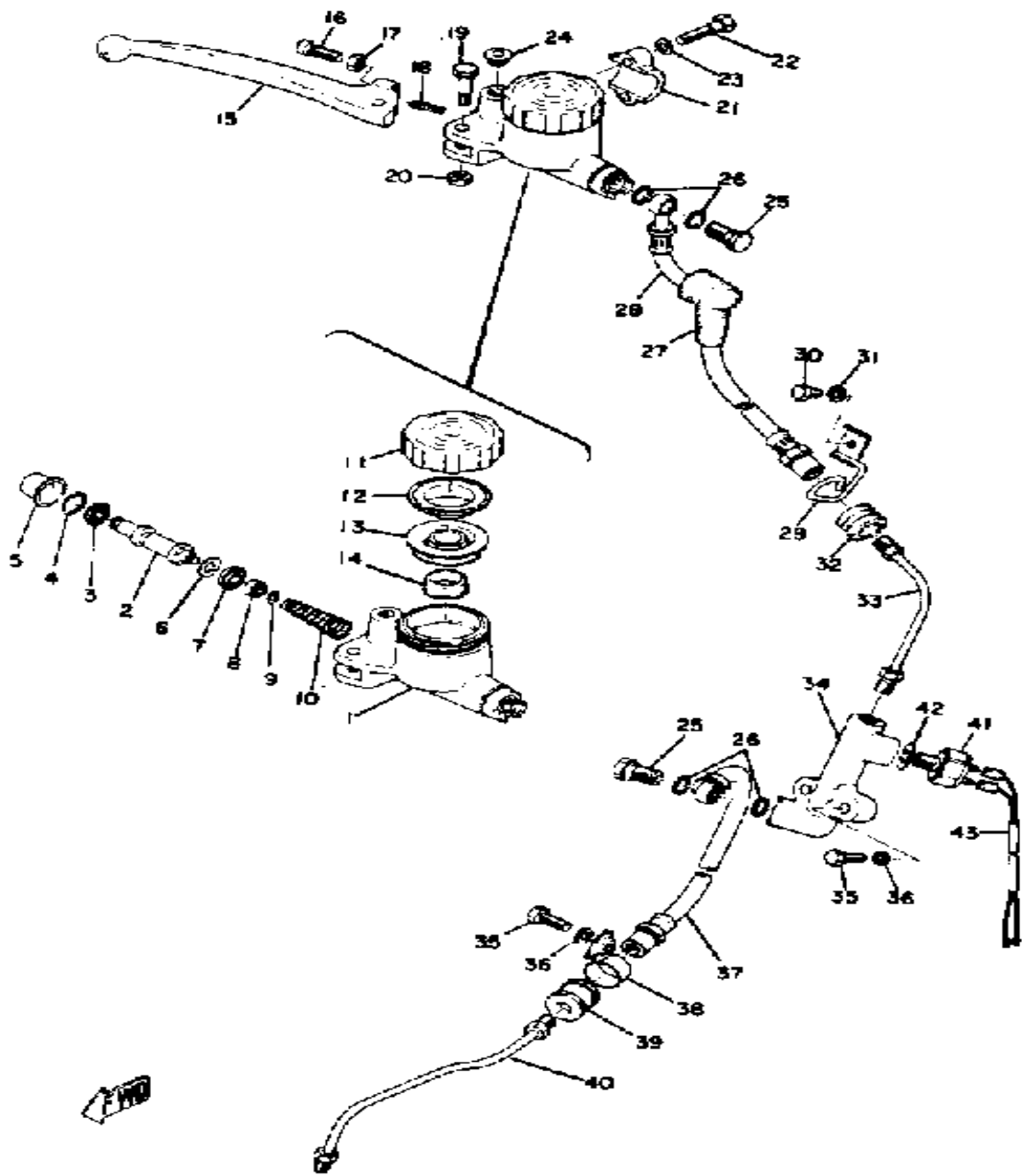
HANDLEBAR - CABLE

Ref. No.	Part Number	Description	Qty	Remarks
24	341-26290-01-00	BACK MIRROR RH (341-26290-01)	1	AP
25	360-26329-00-00	CAP, RUBBER	2	364~
	360-26329-02-00	CAP, RUBBER 0 0	2	
26	164-26363-00-00	END, CABLE	1	



IMPORTANT For Old Style Pump:
 See Tech. Bulletin
 #MB-015C

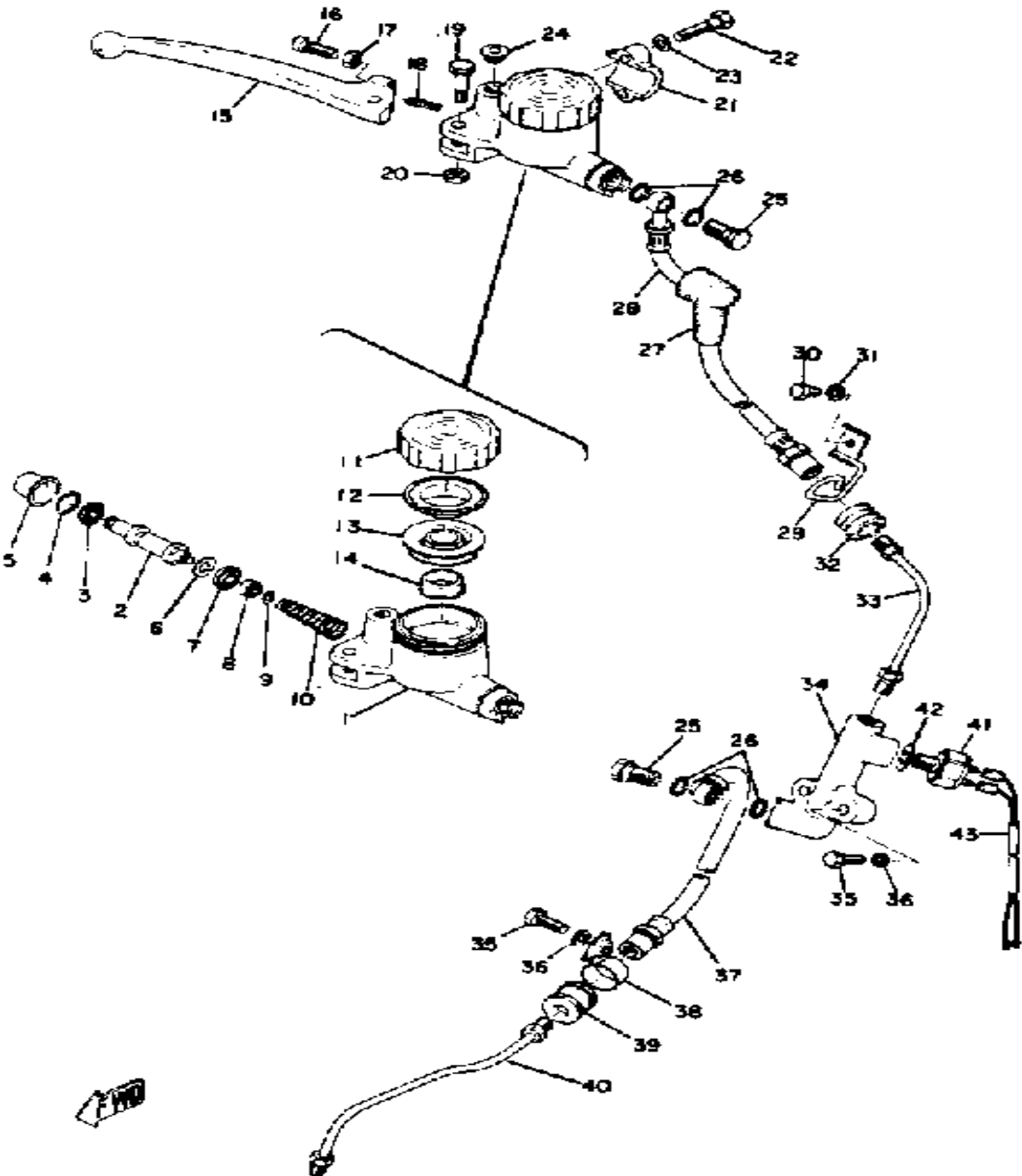
MASTER CYLINDER - BRAKE HOSE



Ref. No.	Part Number	Description	Qty	Remarks
1	735-25850-00-98	MSTR CYLINDER ASSEMBLY	1	
2	1A0-W0041-00-00	. CYLINDER KIT, MASTER (360-20000-10)	1	
3	ϕ36-02000-02-00	. UNAVAILABLE IN PRICE BOOK	1	
11	360-25852-00-00	. CAP, RESERVOIR	1	
	360-25852-30-00	. CAP, RESERVOIR	1	
12	2GU-25855-00-00	. BUSH, DIAPHRAGM	1	
13	360-25854-00-00	. DIAPHRAGM, RESERVOIR	1	
14	360-25853-00-00	. FLOAT, RESERVOIR	1	
15	3H1-83922-00-00	UNAVAILABLE IN PRICE BOOK	1	
16	90146-06005-00	SCREW, OVAL FLSTR (306-83928-01)	1	
17	90170-06010-00	NUT	1	
18	90501-10312-00	SPRING, COMPRESSION	1	
19	90109-06465-00	BOLT	1	
20	95380-06700-00	NUT	1	
21	1J3-25867-00-00	BRACKET, MASTER CYLINDER (341-25867-00)	1	
22	97011-06025-00	BOLT (97001-06025)	2	
23	92995-06100-00	WASHER, SPRING	2	
24	90338-09012-00	PLUG	1	
25	90401-10034-00	BOLT, UNION	2	
26	90201-10118-00	WASHER, PLATE	4	
27	360-25862-00-00	BOOT, MASTER CYLINDER	1	
28	(360-25872-05-00)	HOSE, BRAKE 1	1	
29	ϕ35-12588-70-10	UNAVAILABLE IN PRICE BOOK	1	
30	97013-06012-00	BOLT	1	
31	92995-06100-00	WASHER, SPRING	1	
32	341-25881-00-00	PROTECTOR, BRAKE HOSE	1	

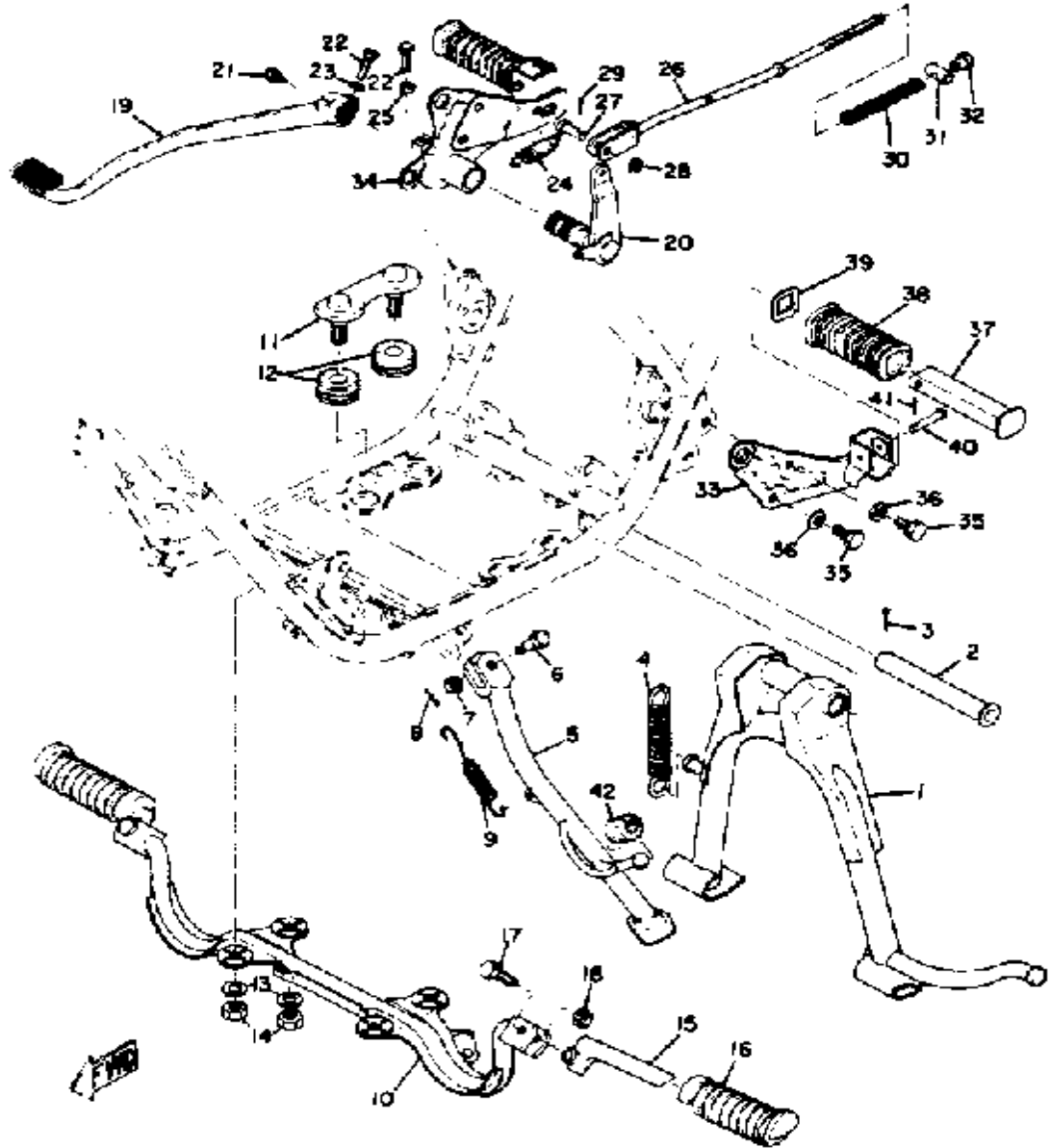
CONTINUED ON NEXT FRAME ►

MASTER CYLINDER - BRAKE HOSE



Ref. No.	Part Number	Description	Qty	Remarks
33	(351-25883-01-00)	PIPE, BRAKE 3	1	
34	(341-25885-03-00)	JOINT	1	
35	97011-06025-00	BOLT (97001-06025)	3	
36	92995-06100-00	WASHER, SPRING	3	
37	351-25873-05-00	HOSE, BRAKE 2	1	
38	(306-25876-00-00)	HOLDER, BRKE HOSE 2	1	
39	306-25881-00-00	PROTC, BRAKE HOSE	1	
40	306-25871-00-00	PIPE, BRAKE	1	
41	341-83980-30-00	STOP SWITCH ASSEMBLY ...	1	
42	90201-10128-00	WASHER, PLATE	1	
43	(351-82531-00-00)	WIRE, LEAD	1	

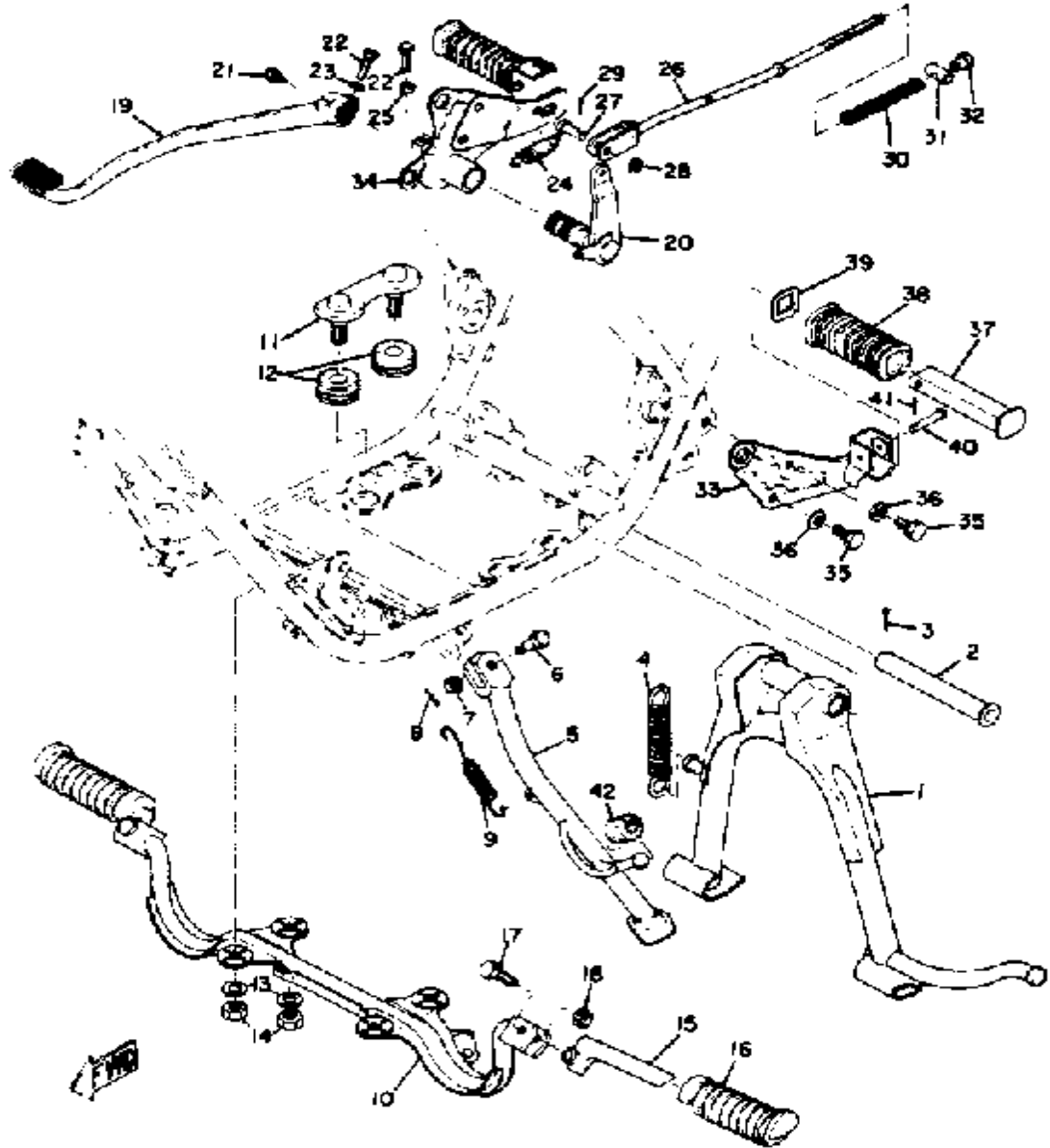
STAND - FOOTREST - BRAKE PEDAL



Ref. No.	Part Number	Description	Qty	Remarks
1	ø27-82711-10-00	UNAVAILABLE IN PRICE BOOK	1	
2	278-27112-00-00	SHAFT, MAIN STAND	1	
3	91401-30030-00	PIN, COTTER	1	
4	90506-35058-00	SPRING, TENSION	1	
5	(278-27311-01-00)	STAND, SIDE	1	
6	90102-10006-00	BOLT, WITH HOLE (278-27317-00)	1	
7	90171-10012-00	NUT, CASTLE	1	
	95303-10900-00	NUT, SLOTTED	1	
8	91490-20025-00	PIN, SPLIT	1	
9	90507-29004-00	SPRING, TENSION (214-27316-00)	1	
10	(278-27412-00-00)	BRACKET, FOOTREST 1	1	
11	(278-27416-00-00)	BOLT, FOOTREST	2	
12	ø27-82741-40-10	UNAVAILABLE IN PRICE BOOK	2	
	ø99-99900-96-10	UNAVAILABLE IN PRICE BOOK	1	
13	92990-10100-00	LOCKWASHER	4	
14	95303-10600-00	NUT (95301-10600)	4	
15	(278-27451-00-00)	FOOTREST	2	
16	156-27413-00-00	COVER, FOOTREST	2	
17	90109-08376-00	BOLT (157-27416-00)	2	
18	90170-08158-00	NUT	2	
	95303-08700-00	NUT	2	
19	(278-27211-00-33)	PEDAL, BRAKE	1	YAMAHA BLK
20	(1A0-27212-00-00)	SHAFT, BRAKE PEDAL	1	
21	93700-06M03-00	NIPPLE, GREASE	1	
22	97011-06025-00	BOLT (97001-06025)	2	
23	92995-06100-00	WASHER, SPRING	1	
24	90506-20042-00	SPRING, TENSION	1	

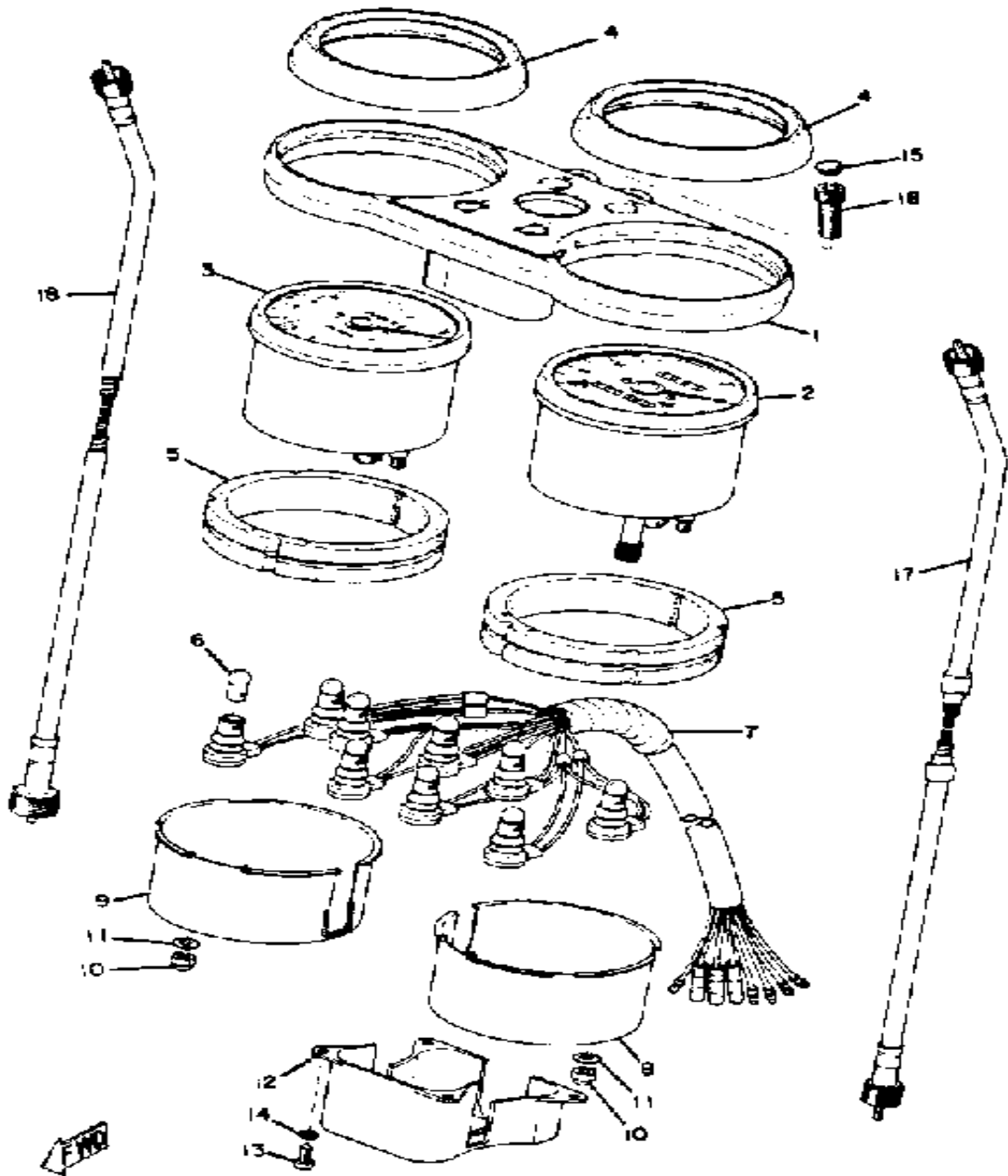
CONTINUED ON NEXT FRAME ►

STAND - FOOTREST - BRAKE PEDAL



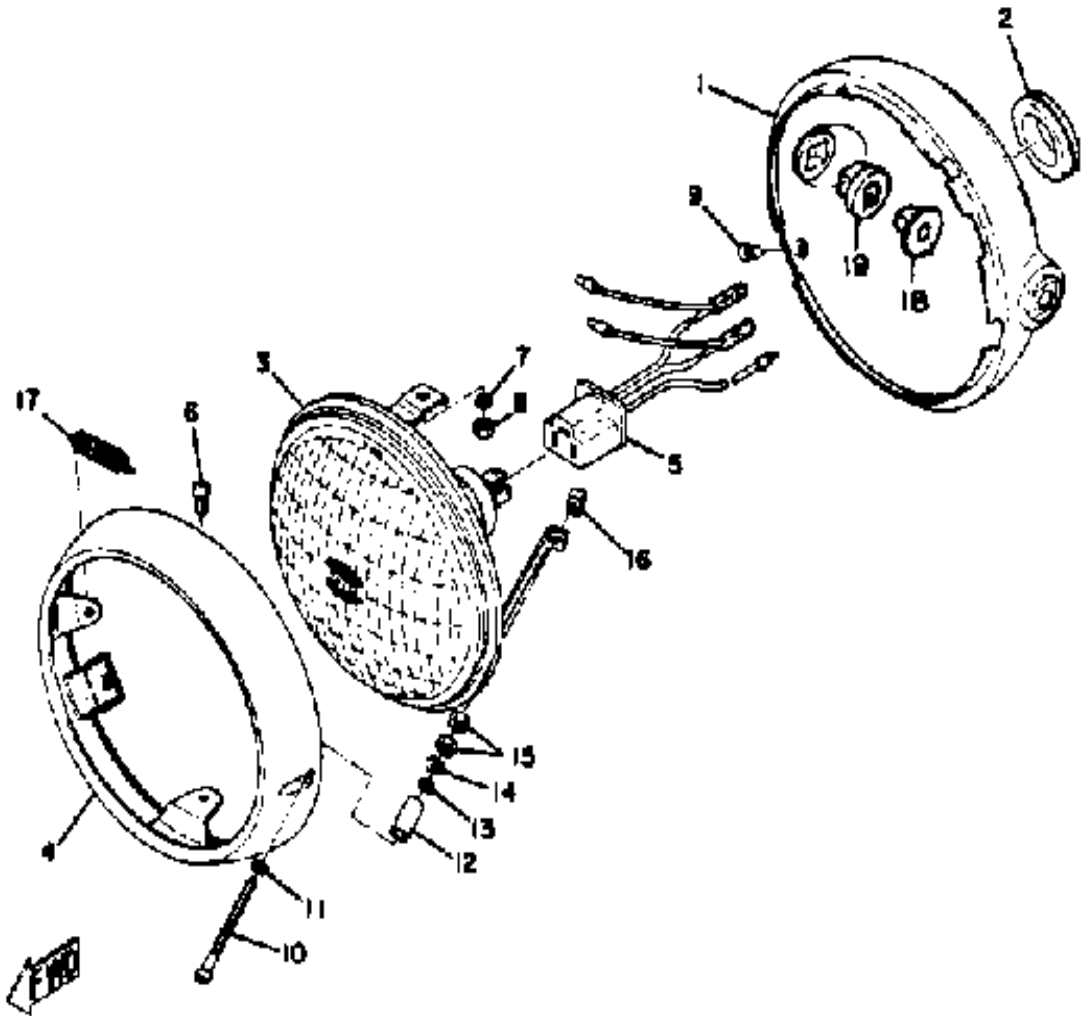
Ref. No.	Part Number	Description	Qty	Remarks
25	95380-06700-00	NUT	1	
26	276-27231-00-00	ROD, BRAKE	1	
27	90240-06006-00	PIN, CLEVIS	1	
28	92990-06200-00	WASHER	1	
29	91401-25020-00	PIN, COTTER	1	
30	90501-10245-00	SPRING, COMPRESSION	1	
31	90249-12008-00	PIN	1	
32	90179-06411-00	NUT	1	
33	27-82144-50-00	UNAVAILABLE IN PRICE BOOK	1	
34	36-02144-60-00	UNAVAILABLE IN PRICE BOOK (278-21444-00)	1	
35	97313-08020-00	BOLT, HEXAGON	4	
36	92990-08100-00	WASHER	4	
37	168-27431-10-00	FOOTREST, REAR 1	2	
38	307-27433-00-00	COVER, RR FOOTREST	2	
39	90209-18117-00	WASHER, SPEC'L SHAP (168-27437-10)	2	
40	91701-06035-00	PIN, CLEVIS	2	
41	91490-16020-00	PIN, COTTER	2	
42	278-27314-00-00	STOPPER	1	

METER



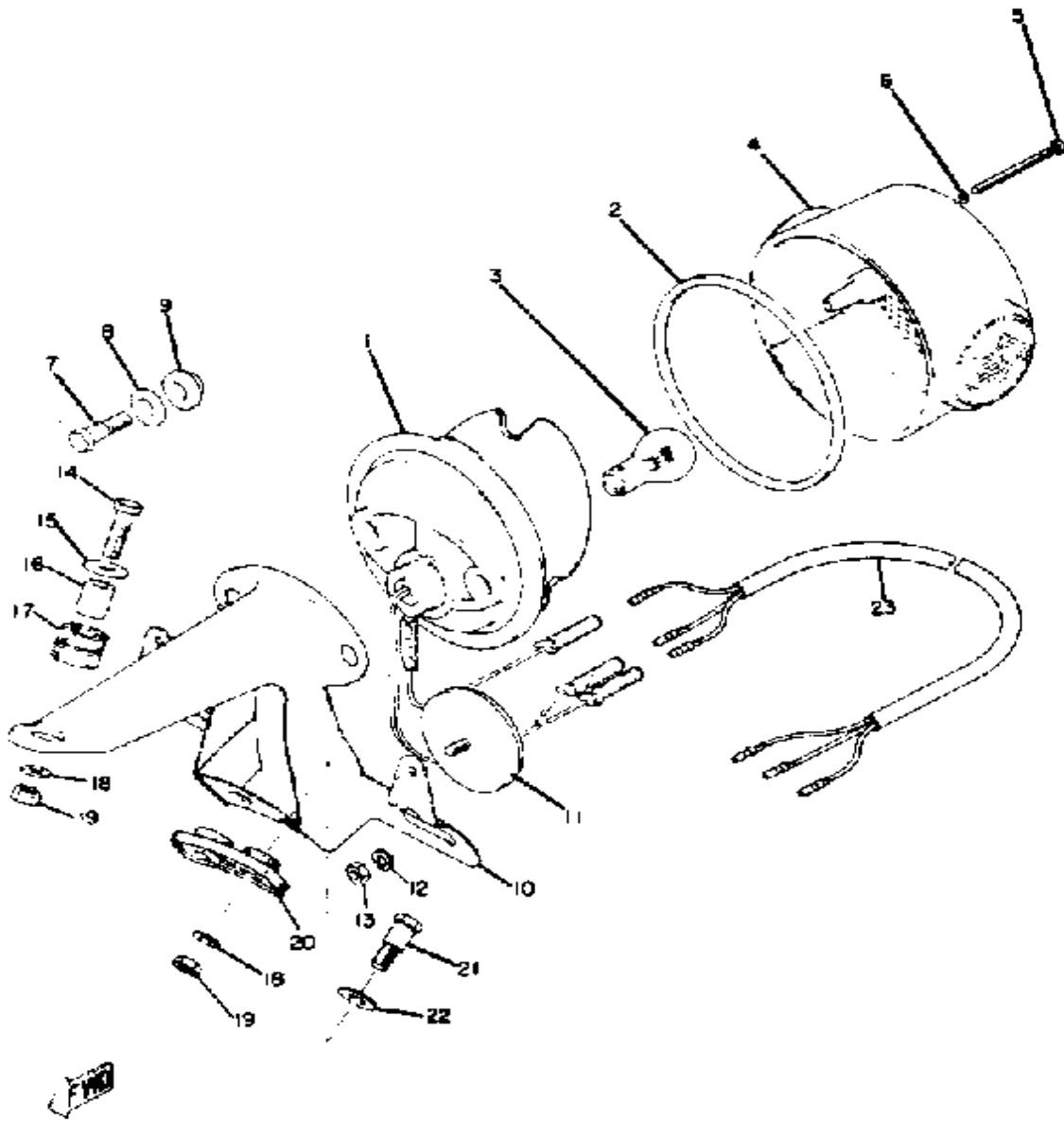
Ref. No.	Part Number	Description	Qty	Remarks
1	360-83519-41-98	BRACKET, METER	1	FROSTING BLK
2	(360-83570-43-00) (99999-00901-00)	SPEEDOMETER ASSEMBLY ..	1	
3	(360-83540-07-00) 360-83540-03-00	TACHOMETER ASSEMBLY ...	1	
4	360-83513-00-00	DAMPER	2	
5	360-83523-00-00	DAMPER	2	
6	123-83516-21-00	BULB (12V-3.4W)	9	
7	360-83509-40-00	SOCKET CORD ASSEMBLY ..	1	
8	(360-83507-01-00) 360-83507-00-00	COVER, SPEEDOMETER	1	
9	360-83508-01-00	COVER, TACHOMETER	1	
10	95303-05800-00	NUT (CROWN)	4	
11	92990-05200-00	WASHER, PLAIN	4	
12	360-83547-00-00	COVER, SOCKET	1	
13	98580-04008-00	SCREW, PAN HEAD	4	
14	92901-04600-00	WASHER, PLATE	4	
15	341-23469-00-00	CAP, BOLT	2	
16	91316-08025-00	BOLT, SOCKET HEAD	2	
17	55K-83550-01-00	SPEEDOMETER CABLE (351-83550-00)	1	
18	360-83560-01-00	TACHOMETER CABLE (360-83560-00)	1	

HEADLIGHT



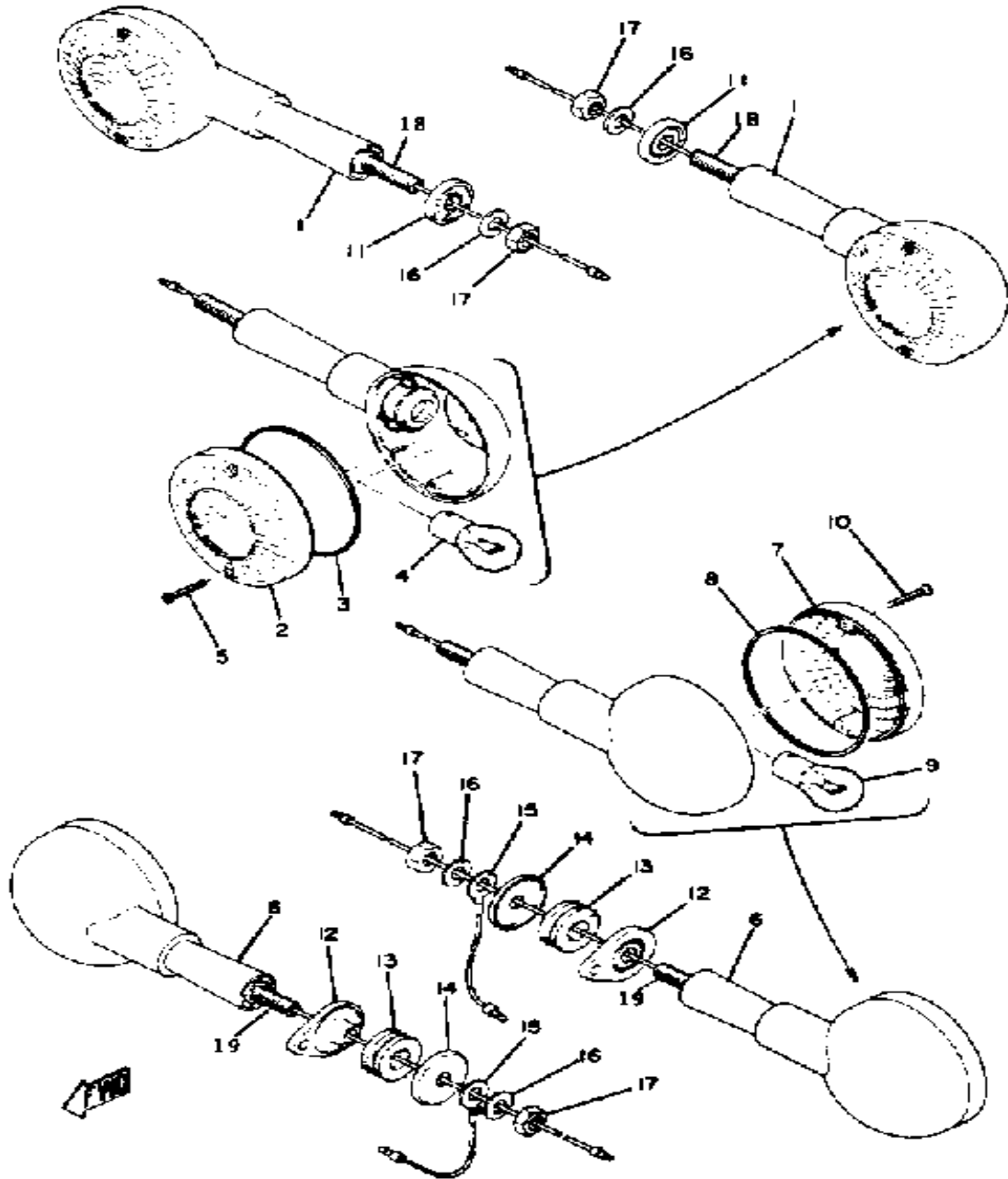
Ref. No.	Part Number	Description	Qty	Remarks
1	(360-84330-61-A2)	BODY ASSEMBLY	1	BRANDY RED
	360-84330-61-A8	BODY ASSEMBLY	1	RUBY RED
	36-08433-06-1U	UNAVAILABLE IN PRICE BOOK	1	PORTUGESE ORANGE
2	214-84153-60-00	. GROMMET, WIREHERNESS .	1	
3	246-84320-60-00	. LENS ASSEMBLY	1	
4	235-84315-60-00	. RIM, HEADLIGHT	1	
5	246-84312-60-00	. SOCKET	1	
6	98580-05012-00	. SCREW, PAN HEAD	2	
7	92990-05100-00	. WASHER, SPRING	2	
8	95380-05600-00	. NUT	2	
9	90152-05005-00	. SCREW, COUNTERSUNK ...	1	
10	90157-04001-00	. SCREW, PAN HEAD	1	
11	233-84127-60-00	. WASHER, SPECIAL	1	
12	233-84133-60-00	. COLLAR, SCREW	1	
13	92990-04200-00	. WASHER, PLAIN	1	
14	168-84328-60-00	. SPACER	1	
15	95301-04600-00	. NUT	2	
16	198-84334-60-00	. NUT, ADJUSTING	1	
17	(132-84335-60-00)	SPRING	1	
18	214-84145-60-00	COLLAR, BODY FTNG	1	M6-028
19	256-84345-60-00	DAMPER, HEADLIGHT	1	M6-028

TAILLIGHT



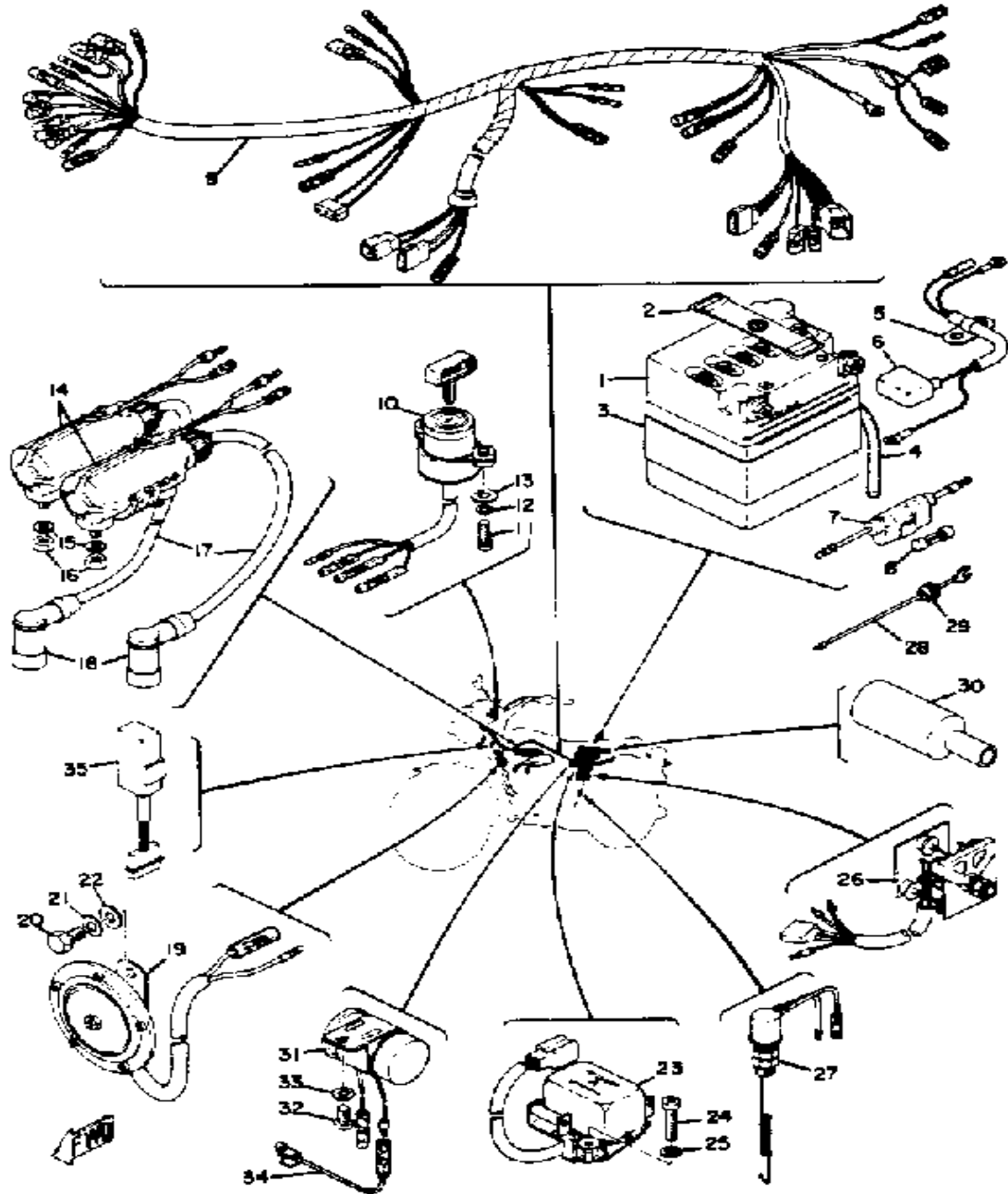
Ref. No.	Part Number	Description	Qty	Remarks
1	(306-84711-61-00)	. BASE, TAILLIGHT	1	
2	275-84523-60-00	. GASKET, LENS	1	
3	256-84714-61-00	. BULB (12V-27/8W)	1	
4	341-84721-60-00	. LENS, TAILLIGHT	1	
5	98580-04055-00	. SCREW, LENS FITTING	3	
6	341-84722-60-00	. WASHER	3	
7	(479-84526-00-00)	SCREW	2	
8	2H7-84754-00-00	WASHER, SPECIAL	2	
9	275-84527-60-00	DAMPER	2	
1	(341-84710-61-00)	TAILLIGHT UNIT ASSEMBLY	1	
10	341-84751-61-93	BRACKET, LICENSE	1	
11	449-85131-02-00	REFLECTOR, REAR 1	2	
12	92990-05100-00	WASHER, SPRING	2	
13	95380-05600-00	NUT	2	
14	97011-06025-00	BOLT (97001-06025)	1	
15	90209-06095-00	WASHER, SPEC'L SHAP (102-28323-00)	1	
16	90387-07390-00	COLLAR	1	
17	90480-14023-00	GROMMET	1	
18	92995-06100-00	WASHER, SPRING	3	
19	95380-06600-00	NUT	3	
20	214-84553-01-00	DAMPER	1	
21	90109-06017-00	BOLT	2	
22	92990-08200-00	WASHER, PLAIN	2	
23	251-84517-60-00	CORD, TAILLIGHT	1	

TURNSIGNAL



Ref. No.	Part Number	Description	Qty	Remarks
1	4G5-83310-90-00	FRONT FLASHER ASSEMBLY .	2	
2	341-83312-70-00	. LENS, FLASHER	2	AMBER
3	3Y6-83313-00-00	. GASKET, FLSHR LENS	2	
4	256-83311-70-XX	. BULB, TS 12V27W	2	
5	341-83333-70-00	. SCREW, LENS FITTING	4	
6	360-83330-71-93	R FLSHR LITE ASSEMBLY	2	
7	341-83332-70-00	. LENS, FLASHER	2	RED
8	3Y6-83313-00-00	. GASKET, FLSHR LENS	2	
9	256-83311-70-XX	. BULB, TS 12V27W	2	
10	341-83333-70-00	. SCREW, LENS FITTING	4	
11	360-83316-00-00	COLLAR, FLASHER 1	2	
12	360-83326-00-00	COLLAR, FLASHER 2	2	
13	90480-18128-00	GROMMET	2	
14	90209-08098-00	WASHER, SPEC'L SHAP	2	
15	256-83336-01-00	CORD	2	
16	92990-08100-00	WASHER	4	
17	95333-08600-00	NUT, HEXAGON	4	
18	341-83367-09-00	BOLT, STUD	2	
19	360-83367-09-00	BOLT, STUD	2	

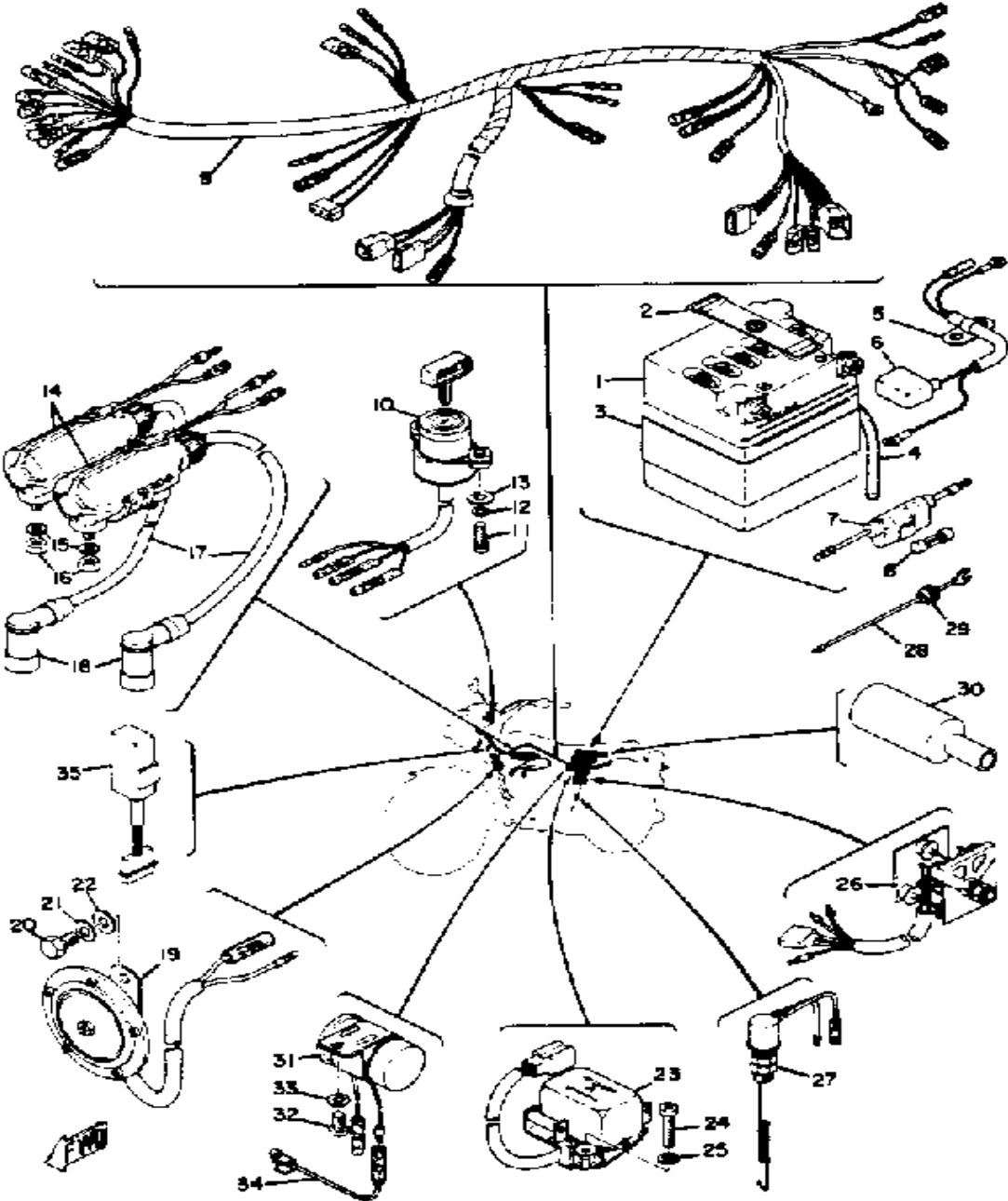
ELECTRICAL



Ref. No.	Part Number	Description	Qty	Remarks
1	(104-82111-20-00)	CAP, BATTERY	6	
	BTY-12N55-A3-B0	YUASA 12N5.5A-3B	1	
2	122-82131-00-00	BAND, BATTERY	1	
3	1UA-82124-00-00	BAND, BATTERY	1	
4	90445-08047-00	HOSE (168-82112-00)	1	
5	ø36-08211-70-00	UNAVAILABLE IN PRICE BOOK	1	
	ø36-08211-70-10	UNAVAILABLE IN PRICE BOOK	1	
	0 0	1	840~
6	ø36-08211-90-00	. UNAVAILABLE IN PRICE BOOK	1	
7	2UJ-82150-01-00	FUSE HOLDER ASSEMBLY (2UJ-82150-00-00)	1	
8	1A0-82161-00-00	. FUSE (20A) (148-82151-00-00)	2	
9	360-82590-43-00	WIRE HARNESS ASSEMBLY ..	1	
10	360-82508-09-00	MAIN SWITCH ASSEMBLY ...	1	
11	98580-05020-00	SCREW, PAN HEAD	2	
12	92990-05100-00	WASHER, SPRING	2	
13	(90209-05116-00)	WASHER, SPEC'L SHAP	2	
14	254-82310-60-00	IGNITION COIL ASSEMBLY ...	2	
15	92995-06100-00	WASHER, SPRING	4	
16	95380-06600-00	NUT	4	
17	278-82341-00-00	CORD, HIGH TENS 1	2	
18	56J-82370-00-00	PLUG CAP ASSEMBLY	2	
19	4V8-83371-30-00	HORN	1	
20	97313-08018-00	BOLT, HEXAGON (97301-08016)	1	
21	92990-08100-00	WASHER	1	
22	92990-08200-00	WASHER, PLAIN	1	
23	278-81910-22-00	VOLTAGE REG ASSEMBLY ..	1	
24	98580-06030-00	SCREW PAN HEAD	2	
25	92995-06100-00	WASHER, SPRING	2	

CONTINUED ON NEXT FRAME ►

ELECTRICAL



Ref. No.	Part Number	Description	Qty	Remarks
26	278-81970-21-00	RECTIFIER ASSEMBLY	1	
27	278-82530-09-00	STOP SWITCH ASSEMBLY	1	
28	ϕ16-48254-10-00	UNAVAILABLE IN PRICE BOOK (NEUTRAL SWITCH)	1	
29	90480-01148-00	GROMMET	1	
30	(256-82599-00-00)	COVER, CONNECTER	1	
31	278-83350-71-00	FLASHER RELAY ASSEMBLY	1	
32	98580-06012-00	SCREW, PAN HEAD	1	
33	92995-06100-00	WASHER, SPRING	1	
34	ϕ21-48335-40-00	UNAVAILABLE IN PRICE BOOK	1	
35	(371-84708-00-00)	CHECKER, LIGHT	1	
	ϕ36-08470-80-00	UNAVAILABLE IN PRICE BOOK	1	

RD350B

1975 SERVICE DATA

MOTORCYCLE
M4-069

MODEL — IBM I.D. NUMBER	RD350B	360
Starting Engine and Frame Number	351-300101	
Basic Color (fuel tank)	Portuguese Orange	
Net Weight	315 lbs.	
ENGINE (type, induction system)	2-stroke, 7-port, Twin, Reed Valve, Air-cooled	
Bore x Stroke x Cylinder Displacement	64 x 54mm x 2 347cc (21.18 CID)	
Compression Ratio	6.6:1	
Piston Skirt Clearance (new/max.)	.035 ~ .040mm (.0014 ~ .0016")/0.1mm (.004")	
Ring End Gap (top/2nd/3rd)	0.2~0.4mm(.008~.0016")/0.15~0.35mm(.006~.014")/φ	
Ring Groove Clearance (top/2nd/3rd)	.03 ~ .08mm (.0012 ~ .0032")/Same/φ	
Valve Clearance (eng. cold) Intake/Exhaust	φ	
AUTOLUBE — Minimum Pump Stroke/Color Code	0.20 ~ 0.25mm (.008 ~ .010") Red	
CARBURETOR (mfr) (type) (I.D. number)	Mikuni	VM28SC 36002
Main Jet	No. 140	
Needle Jet	0-8	
Jet Needle/Clip Position	514-4	
Cut Away	2.5	
Pilot Jet	No. 25	
Air Jet	0.6	
Starter Jet	No. 70	
Air Screw (turns out)	1 1/2	
Float Level	15 ± 1.0mm	
Air Filter (type x quantity)	Dry Paper x 1	
DRIVE — Primary (type) (teeth) (ratio)	Helical Gear	66/23 2.869
Secondary (type) (teeth) (ratio)	DID530DS, 91L	40/15 2.667
Transmission Ratios 1st (teeth) (ratio) (O.A.)	36/14	2.571 19.679
2nd	32/18	1.777 13.601
3rd	29/22	1.318 10.088
4th	26/25	1.040 7.960
5th	24/27	0.888 6.804
6th	22/28	0.785 6.008
CAPACITIES — Transmission	1500cc (51 oz.)SAE 10W30 Oil (Yamalube 4-cycle)	
Oil Tank or Engine Sump	2.1 qts. Yamalube 2-cycle	
Fuel Tank	3.2 gals. Unleaded or Low Lead (Regular)	
Front Forks	140cc (4.7 oz.) 10, 20 or 30 wt. Fork Oil*	
Rear Shocks	φ	
Tires (size/nominal pressure)	Front: 3.00-18/23psi Rear: 3.50-18/28psi	
ELECTRICAL — Charging System (mfr) (type)	Mitsubishi	AZ2010N1 AC Generator
No Load Voltage Adj. (AC & DC generators)	14.5 ~ 15.5V @ 2000rpm	
Max. Generator (Magneto) Output	14V12A	
Field Coil (and/or) Charging Coil Resistance	4.3 ± 0.5Ω (Rotor) 0.32 ± .03Ω (Stator)	
Battery (mfr) (model) (rating)	FB or YUASA	12N5.5A-3B 12V5.5AH
Headlight/Tailight Ratings	12V35W/25W 12V8W/27W	
Ign. Coil Min. Spark Gap/Pri. Res./Sec. Res.	6mm 4.0Ω 11.0KΩ	
Condenser Capacity	0.22 μf	
Point Gap /Spark Plug (type/gap)	0.3 ~ 0.4mm (.012 ~ .016")/NGK B-8HS/0.6 ~ 0.7mm	
Timing (advanced) (retarded)	2.0mm BTDC/φ	

N/A = Information Not Available
φ = Does Not Apply to This Model

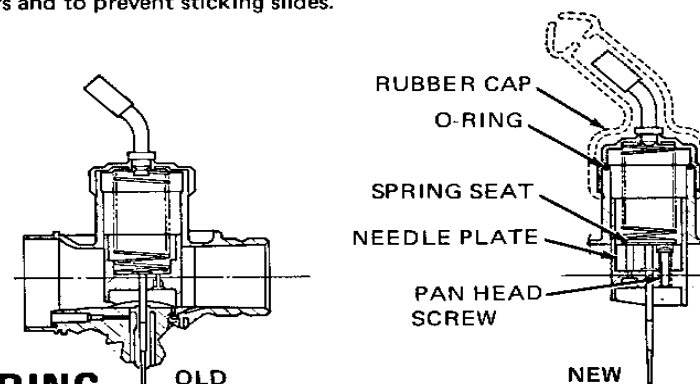
*Available from Yamaha Parts Distributors, Inc.

©YAMAHA INTERNATIONAL CORPORATION, BUENA PARK, CALIFORNIA 7/25/74 Page 1 of 1

RD250A/350A

CARBURETOR MODIFICATION

The following modifications have been devised by the factory to improve the waterproof qualities of the carburetors and to prevent sticking slides.



PARTS ORDERING

NEW PART NO.	DESCRIPTION	PRICE	REMARKS
RD250A			
361-14101-02-00	CARBURETOR ASSY. (L)	\$36.10-A	New I.D. Mark 36102
361-14102-02-00	CARBURETOR ASSY. (R)	36.10-A	
RD350A			
360-14101-02-00	CARBURETOR ASSY. (L)	36.10-A	New I.D. Mark 36002
360-14102-02-00	CARBURETOR ASSY. (R)	36.10-A	
RD250A/350A			
361-14112-25-00	THROTTLE VALVE (L)	7.70-A	Addition Addition Addition Addition Addition
361-14113-25-00	THROTTLE VALVE (R)	7.70-A	
401-14936-00-00	SEAT, spring	.48-A	
361-14946-00-00	PLATE, needle set	.94-A	
97602-03120-00	PANHEAD SCREW	.16-A	
92902-03100-00	WASHER, spring	.04-A	
360-14158-00-33	TOP, mixing chamber	2.36-A	
361-14147-00-00	O-RING	.36-A	
360-26329-01-00	CAP, rubber	1.40-A	

AFFECTED MACHINES

Factory installation begins with:

RD250A E/N 206520
RD350A E/N 213364

SALE OF PARTS

Carburetor assemblies are available now.

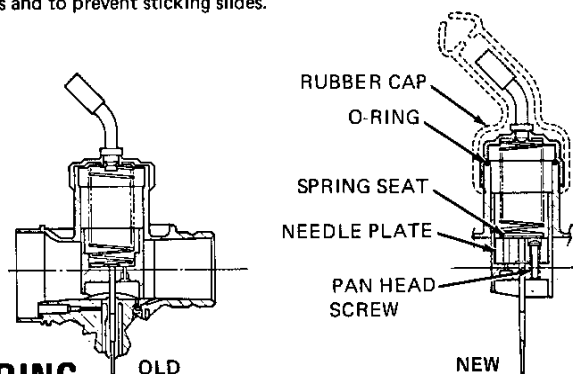
PLEASE BRING YOUR PARTS LIST UP-TO-DATE!

† † † †
©YAMAHA INTERNATIONAL CORPORATION, BUENA PARK, CALIFORNIA 7/21/74 Page 1 of 1

U-24
RD250A/350A MOTORCYCLE
M4-061

CARBURETOR MODIFICATION

The following modifications have been devised by the factory to improve the waterproof qualities of the carburetors and to prevent sticking slides.



PARTS ORDERING

NEW PART NO.	DESCRIPTION	PRICE	REMARKS
RD250A			
361-14101-02-00	CARBURETOR ASSY. (L)	\$36.10-A	New I.D. Mark
361-14102-02-00	CARBURETOR ASSY. (R)	36.10-A	36102
RD350A			
360-14101-02-00	CARBURETOR ASSY. (L)	36.10-A	New I.D. Mark
360-14102-02-00	CARBURETOR ASSY. (R)	36.10-A	36002
RD250A/350A			
361-14112-25-00	THROTTLE VALVE (L)	7.70-A	
361-14113-25-00	THROTTLE VALVE (R)	7.70-A	
401-14936-00-00	SEAT, spring	.48-A	
361-14946-00-00	PLATE, needle set	.94-A	Addition
97602-03120-00	PANHEAD SCREW	.16-A	Addition
92902-03100-00	WASHER, spring	.04-A	Addition
360-14158-00-33	TOP, mixing chamber	2.36-A	
361-14147-00-00	O-RING	.36-A	Addition
360-26329-01-00	CAP, rubber	1.40-A	

AFFECTED MACHINES

Factory installation begins with:

RD250A E/N 206520
RD350A E/N 213364

SALE OF PARTS

Carburetor assemblies are available now.

PLEASE BRING YOUR PARTS LIST UP-TO-DATE!

† † † †